



New: Retrofit for Fuji 4.75" x 36" Filter Element

Introducing Pall's 'direct replacement' filter technology for users of Fuji 4.75" x 36" filters in process fluid streams such as amine systems

Pall's new retrofit products allow users of other manufacturers' elements to benefit from Pall technology without the need to replace the existing housing/vessel. Pall retrofit products are direct replacements for existing elements, offering the performance and value you have come to expect from Pall.

Advantages of Pall Technology

Pall's filter media and element designs bring together industry leading technologies and advanced manufacturing processes to deliver unsurpassed performance and value in each and every element.

Pall Retrofit p/n: RFJFS536E280E

Replaces: Fuji p/n: ETN-11536-002

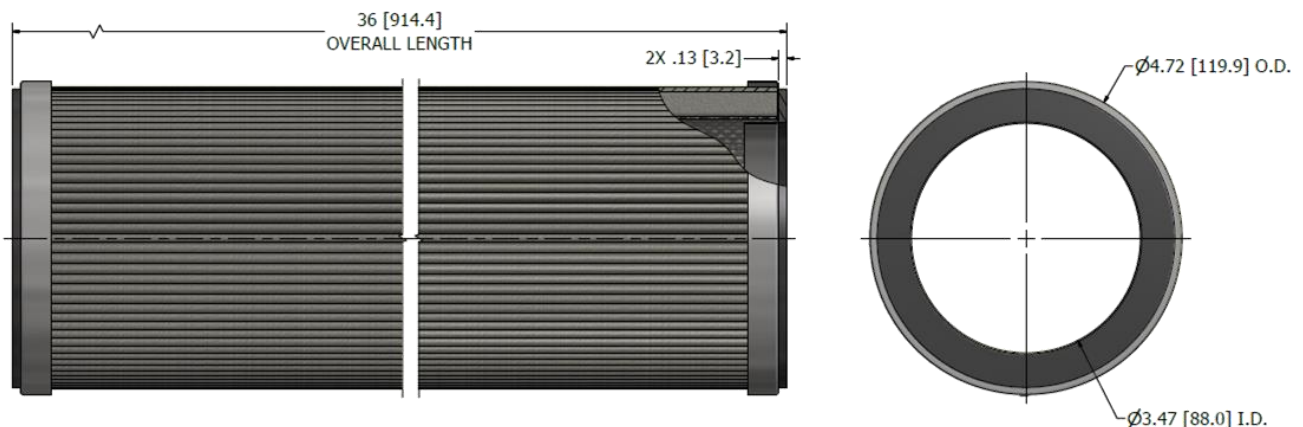
Specifications:

- **Medium:** Resin Bonded Cellulose
- **Rating:** 10µm
- **Gasket:** EPDM
- **OD:** 4.72 in (119.9 mm)
- **ID:** 3.47 in (88 mm)
- **Nominal Length:** 36 in (914.4 mm)
- **Maximum Differential Pressure:** 30 PSI (2.07 bar)

Global Presence – Local Support

Pall is a global company with offices in Asia, Americas, Europe, and the Middle East. This global presence enables us to provide local commercial or technical support whenever or wherever there is a customer need.

Nominal Element Dimensions



25 Harbor Park Drive
Port Washington, NY 11050

+1 516 484 3600 telephone toll
+1 800 289 7255 free US

Portsmouth – UK
+44 (0)23 9233 8000 telephone
+44 (0)23 9233 8811 fax
industrialeu@pall.com

Visit us on the web at www.pall.com

Pall Corporation has offices and plants throughout the world. For Pall representatives in your area, please go to www.pall.com/contact

Because of technological developments related to the products, systems, and/or services described herein, the data and procedures are subject to change without notice. Please consult your Pall representative or visit www.pall.com to verify that this information remains valid.

© Copyright 2017, Pall Corporation. Pall, and are trademarks of Pall Corporation. Fuji is a trademark of Fuji Filter Manufacturing Co. Ltd. BETTER LIVES. BETTER PLANET. and Filtration. Separation. Solution.SM are service marks of Pall Corporation.