

IOL Series Filter Housings

Introduction

- Single cartridge housing accepts AB style, single open end filter elements
- All wetted parts are made of stainless steel construction
- Accepts 1 in (2.54 cm), 5 in (12.7 cm), 10 in (25.4 cm), 20 in (50.8 cm) or 30 in (76.2 cm) Code 3, Code 7, Code 8 or Code 18 filter cartridges
- In-line inlet and outlet connections for easy installation
- Quick opening t-handle v-band clamp facilitates filter change-out
- Wide choice of inlet/outlet sizes and o-ring seal options
- Passivated for purity

Housing Specifications

Design ratings¹

260 psig (17.9 bar) @ 100°F (40°C)

200 psig (13.8 bar) @ 300°F (150°C)

NOTE: Above ratings apply to housing only. Cartridge and housing O-ring selection may impose different and narrower limitations. If Canadian registration is required refer to IOLC Data Sheet PIOLCEN for CRN approved filter housings.

Materials of construction

Head: 316L stainless steel

Bowl: 316 stainless steel

Connections

Inlet/Outlet: 3/4" NPT, 1" NPT, 3/4" BSPT, 1" BSPT

Flange Option: 150 lb. ANSI raised face flanges for 1 in IOL housings

Vent/Drain: 1/4" NPT, BSPT or BSPP



IOL Series Filter Housings

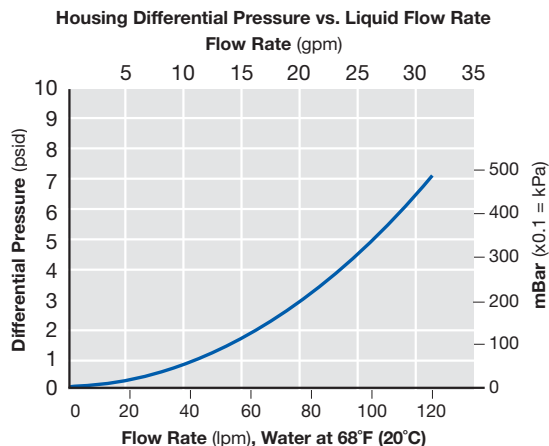
Shell O-rings

FEP encapsulated fluorocarbon elastomer, silicone elastomer, fluorocarbon elastomer, nitrile, ethylene propylene, ethylene propylene for steam service

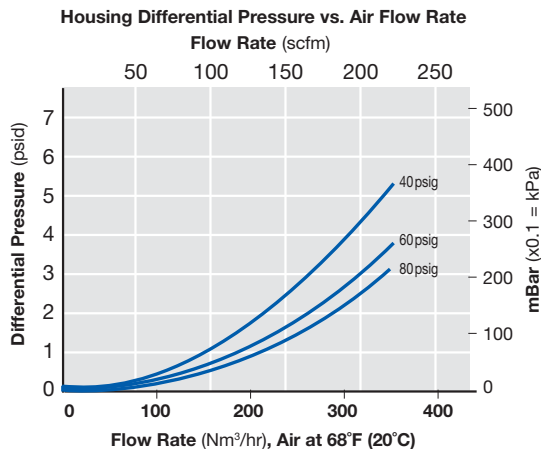
Bracket option

Stainless steel brackets are available as a standard option.

¹ Fully vacuum rated.



For liquids other than water, multiply differential pressure by specific gravity.



Dimensional Data

Model	Flow ² Rate (gpm/lpm)	Dimensions				Volume Gal/L	Weight Empty	
		A in/mm	B in/mm	C in/mm	D in/mm		Threaded Nozzle lbs/Kg	Flanged Nozzle lbs/Kg
IOL301	1/3.78	5.81/147.57	4.81/122	9.81/250	2/50.8	.04 / .15	4.5/2	—
IOL305	5/19	7.8/198	4.81/122	9.81/250	4/102	0.11 / 0.4	5.1/2.32	11.9/5.4
IOL31	10/38	16.5/419	4.81/122	9.81/250	12.63/321	0.42/1.6	5.95/2.7	12.8/5.8
IOL32	20/76	26.25/667	4.81/122	9.81/250	22.5/572	0.82/3.1	6.92/3.14	13.7/6.2
IOL33	30/114	36.13/918	4.81/122	9.81/250	32.38/822	1.22/4.6	7.89/3.58	14.7/6.7
IOL701	1/3.78	5.81/147.57	4.81/122	9.81/250	2/50.8	.04 / .15	4.5/2	—
IOL705	5/19	7.8/198	4.81/122	9.81/250	4/102	0.11/0.4	5.1/2.32	11.9/5.4
IOL71	10/38	16.5/419	4.81/122	9.81/250	12.63/321	0.42/1.6	5.95/2.7	12.8/5.8
IOL72	20/76	26.25/667	4.81/122	9.81/250	22.5/572	0.82/3.1	6.92/3.14	13.7/6.2
IOL73	30/114	36.13/918	4.81/122	9.81/250	32.38/822	1.22/4.6	7.89/3.58	14.7/6.7
IOL801	1/3.78	5.81/147.57	4.81/122	9.81/250	2/50.8	.04 / .15	4.5/2	—
IOL805	5/19	7.8/198	4.81/122	9.81/250	4/102	0.11/0.4	5.1/2.32	11.9/5.4
IOL81	10/38	16.5/419	4.81/122	9.81/250	12.63/321	0.42/1.6	5.95/2.7	12.8/5.8
IOL82	20/76	26.25/667	4.81/122	9.81/250	22.5/572	0.82/3.1	6.92/3.14	13.7/6.2
IOL83	30/114	36.13/918	4.81/122	9.81/250	32.38/822	1.22/4.6	7.89/3.58	14.7/6.7
IOL1801	1/3.78	5.81/147.57	4.81/122	9.81/250	2/50.8	.04 / .15	4.5/2	—
IOL1805	5/19	7.8/198	4.81/122	9.81/250	4/102	0.11/0.4	5.1/2.32	11.9/5.4
IOL181	10/38	16.5/419	4.81/122	9.81/250	12.63/321	0.42/1.6	5.95/2.7	12.8/5.8
IOL182	20/76	26.25/667	4.81/122	9.81/250	22.5/572	0.82/3.1	6.92/3.14	13.7/6.2
IOL183	30/114	36.13/918	4.81/122	9.81/250	32.38/822	1.22/4.6	7.89/3.58	14.7/6.7

² Dependent on inlet/outlet selection.

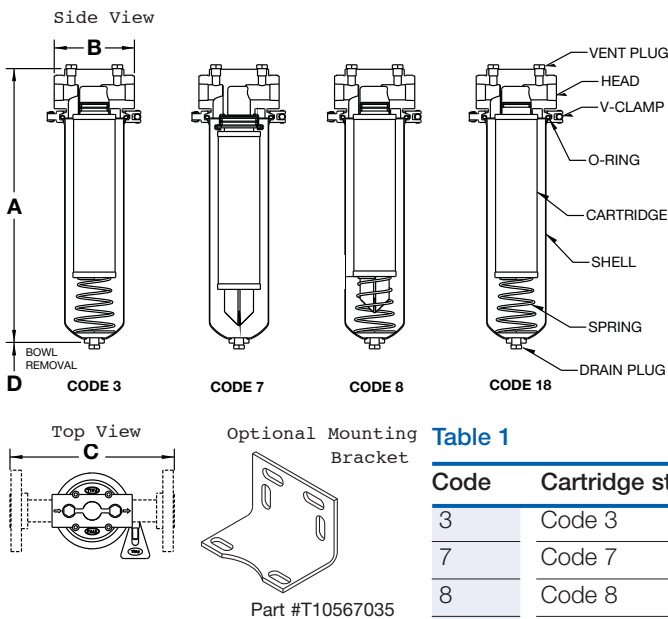


Table 1

Code	Cartridge style
3	Code 3
7	Code 7
8	Code 8
18	Code 18

Ordering Information

Pall Part Number = IOL 1 2 G 3 4

Table 2

Code	Bowl length
01	1 in (available in Code 3 only, with N16 or B16 option)
	10 in
05	20 in
	30 in

Table 3

Code	Inlet/outlet and vent/drain size
N12	3/4" NPT / 1/4" NPT
N16	1" NPT / 1/4" NPT
B12	3/4" BSPT / 1/4" BSPT
B16	1" BSPT / 1/4" BSPT
B17	1" ANSI flange / 1/4" BSPT
N17	1" ANSI flange / 1/4" NPT
P17	1" ANSI flange / 1/4" BSPP
P19	1" BSPP / 1/4" BSPP
B35	1" BS4504 flange / 1/4" BSPT
P35	1" BS4504 flange / 1/4" BSPP

Table 4

Code	Seal materials
H	Fluorocarbon elastomer
H1	FEP encapsulated fluorocarbon elastomer
H4	Silicone
H13	Nitrile
J	Ethylene propylene
J7	Ethylene propylene for steam service



Pall Corporation

Fuels and Chemicals

25 Harbor Park Drive
Port Washington, NY 11050
+1 516 484 3600 telephone
+1 888 873 7255 toll free US

Portsmouth - UK
+44 (0)23 9233 8000 telephone
+44 (0)23 9233 8811 fax
industrialeu@pall.com

Filtration. Separation. Solution.SM



Visit us on the Web at www.pall.com

Pall Corporation has offices and plants throughout the world. For Pall representatives in your area, please go to www.pall.com/contact

Because of technological developments related to the products, systems, and/or services described herein, the data and procedures are subject to change without notice. Please consult your Pall representative or visit www.pall.com to verify that this information remains valid.

© Copyright 2006, 2016 Pall Corporation. Pall and are trademarks of Pall Corporation. ® indicates a trademark registered in the USA. Filtration. Separation. Solution.SM and BETTER LIVES. BETTER PLANET. are service marks of Pall Corporation.