

LMO Non-Metallic Series Filter Housings

Durable, Corrosion Resistant Design for Liquid Applications

- Cost effective alternative to stainless steel in corrosive fluid applications
- Accepts 50.8 cm (20 in) DOE or Pall M5 (code 5) Style cartridge
- Fixed guides in head and shell ensure proper alignment and seating of cartridges

Housing Specifications

Maximum operating pressure

LMO-U: 8.6 bar (125 psig) @ 52°C (125°F)

LMO-UP: 6.9 bar (100 psig) @ 66°C (150°F)

NOTE: Maximum operating pressure ratings are vessel ratings only. Safe operating temperature and pressure will depend on the filter cartridge and gasket/O-ring used. For inquiries on compatibility, contact Pall or your Pall distributor.

Construction	Head ¹	Shell
LMO-U:	Polypropylene	Polypropylene
LMO-UP:	Polypropylene	SAN (Styrene Acrylonitrile)

Connections

Inlet/outlet: 3/4" NPT

Shell O-rings

Ethylene propylene (standard), Nitrile, neoprene, fluorocarbon elastomer

Standard colors

LMO-U: Opaque with blue head and shell

LMO-UP: Blue head and clear shell

Food and water contact use

Please contact Pall Corporation to verify that the product conforms to your national legislation and/or regional regulatory requirements for water and food contact use.

¹ Housing head has mounting bosses, which accept self-tapping screws for attaching a bracket to the housing.



Selection Criteria

	LMO-U	LMO-UP
Ultra violet light	Recommended	Fair
Strong acid	Recommended	Fair
Weak acid (<20%)	Recommended	Recommended
Organic solvent	Recommended	Not Recommended
Strong oxidizing agent	Recommended	Not Tested
Weak base (<20%)	Recommended	Recommended
Strong base	Recommended	Fair

This housing is not recommended for compressed air or gas service. It is suitable for use with fully compatible* liquids only. This housing is not recommended for acid service at the pressure shown. Please contact Pall for detailed compatibility information.

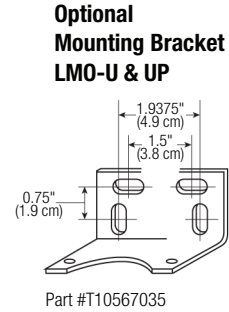
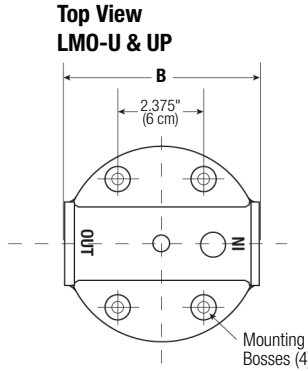
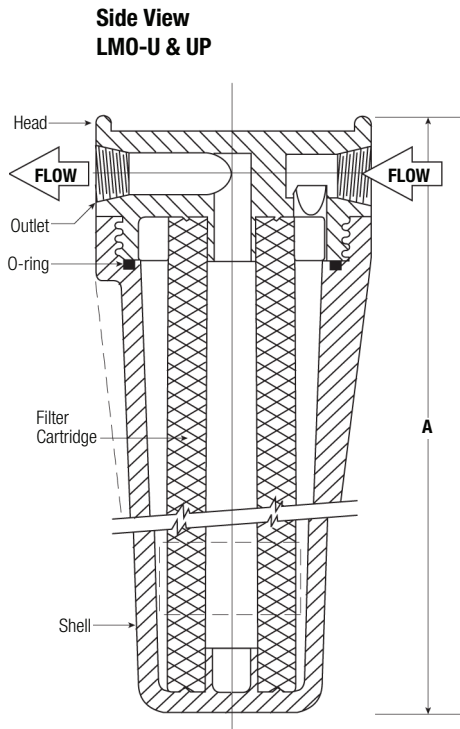
* which do not soften, swell or adversely effect the product or its materials of construction.

NOTE: Use of this product in a manner other than in accordance with Pall's current recommendations may lead to injury or loss. Pall cannot accept liability for such injury or loss.

Dimensional Data (nominal)

Model	Liquid Flow Rate ² lpm (gpm)	Dimensions cm (in)		Weight kg (lb)
		A	B	
LMO20U-3/4	to 75.7 (20)	57.2 (22.5)	13.7 (5.38)	4.1 (9)
LMO20UP-3/4	to 75.7 (20)	57.2 (22.5)	13.7 (5.38)	4.1 (9)

² Dependent upon cartridge selection, fluid viscosity and allowable pressure drop.



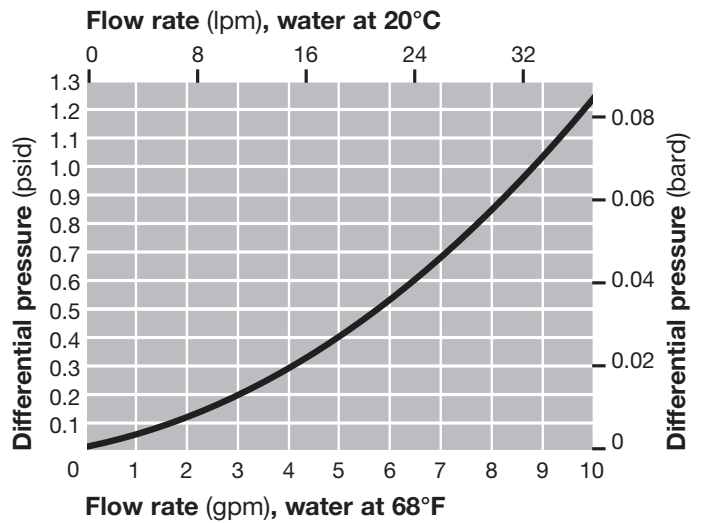
Ordering Information

Pall Part Number = LMO 20 1 - 3/4

Table 1

Code	Materials of construction
U	Polypropylene
UP	SAN

Housing Differential Pressure vs. Liquid Flow Rate



Unit conversion: 1 bar = 100 kpa

For liquids other than water, multiply differential pressure by the specific gravity of the fluid.



Pall Corporation

25 Harbor Park Drive
Port Washington, NY 11050
+1 516 484 3600 telephone
+1 800 289 7255 toll free US

Portsmouth - UK
+44 (0)23 9230 3303 telephone
+44 (0)23 9230 2507 fax
processuk@pall.com

Visit us on the Web at www.pall.com

Pall Corporation has offices and plants throughout the world. For Pall representatives in your area, please go to www.pall.com/contact

Please contact Pall Corporation to verify that the product conforms to your national legislation and/or regional regulatory requirements for water and food contact use.

Because of technological developments related to the products, systems, and/or services described herein, the data and procedures are subject to change without notice. Please consult your Pall representative or visit www.pall.com to verify that this information remains valid.

© Copyright 2004, 2011, Pall Corporation. Pall and are trademarks of Pall Corporation. ® indicates a trademark registered in the USA. **Filtration. Separation. Solution.SM** is a service mark of Pall Corporation.