



MEGA+ 7 Series Filter Housings

Electropolished Stainless Steel, Accepts Seven 10" (25.4 cm), 20" (50.8 cm), 30" (76.2 cm), or 40" (102 cm) Cartridges

- Electropolished 316L Stainless Steel Materials of Construction for Maximum Corrosion Resistance
- Liquid Flow Rates to 100 gpm (379 lpm) Max.
- Operating Pressures to 150 psig (10.3 bar) @ 200°F (93°C)
- Optional ANSI Raised Face 2" Flange Connections
- Universal Seat Cup Accepts DOE or #222 SOE Cartridges
- V-Band Clamp Closure Permits Quick, Easy Cartridge Change Outs
- Final DI Water Rinse
- Available with 2" Tri-Clover¹ Sanitary Flange

Housing Specifications

Maximum Operating Pressure:

150 psig (10.3 bar) @ 200°F (93°C)

NOTE: Maximum operating pressure ratings are vessel ratings only. Safe operating temperature and pressure will depend on filter cartridge and gasket/O-ring used. For cyclical service please consult your Pall representative.

Construction:

Head & Shell:	316L Stainless Steel
Vent Plug:	316L Stainless Steel
Drain Cap:	316L Stainless Steel
Seat Cups:	316L Stainless Steel

Connections:

Inlet/Outlet:	2" Male NPT or Tri-Clover Fitting (pipe size)
Drain:	¾" Male NPT
Drain/Vent:	¼" NPT Coupling

Shell O-rings:

Ethylene Propylene (standard),
Fluorocarbon Elastomer,
Silicone Elastomer

Flange Option:

150 lb. ANSI raised flanges available

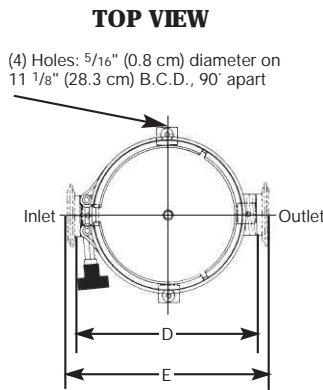
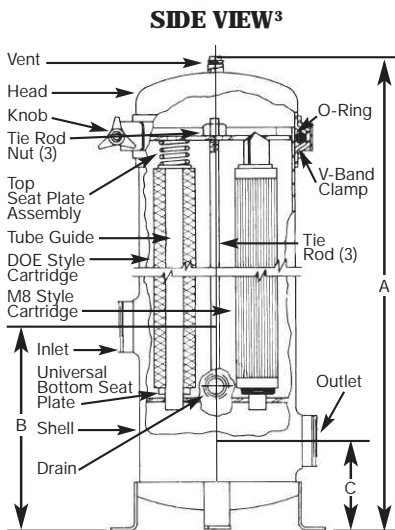


¹ - Registered trademark of Tri-Clover, Inc.

Dimensional Data (nominal)

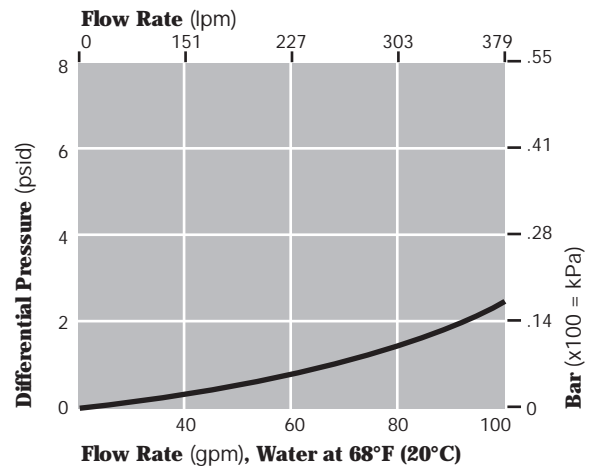
Model	Liquid ² Flow Rates - gpm (lpm)	Dimensions - inches (cm)					Maximum Cartridge Diameter - inches (cm)	Weight - pounds - (kg)	Minimum Clearance - inches (cm)
		A	B	C	D	E			
7MEGA ⁺ 1-2	to 60 (227)	25 (63.5)	11 ½ (29.2)	5 ½ (14)	12 (30.3)	12 ⅞ ± ¼ (32.7±0.64)	2 ¾ (7)	41 (18.6)	31 (78.7)
14MEGA ⁺ 2-2	to 100 (379)	33 ½ (85.1)	11 ½ (29.2)	5 ½ (14)	12 (30.3)	12 ⅞ ± ¼ (32.7±0.64)	2 ¾ (7)	46 (20.9)	48 ½ (123.2)
21MEGA ⁺ 3-2	to 100 (379)	44 (112)	11 ½ (29.2)	5 ½ (14)	12 (30.3)	12 ⅞ ± ¼ (32.7±0.64)	2 ¾ (7)	52 (23.6)	72 (183)
28MEGA ⁺ 4-2	to 100 (379)	54 ½ (138.4)	11 ½ (29.2)	5 ½ (14)	12 (30.3)	12 ⅞ ± ¼ (32.7±0.64)	2 ¾ (7)	58 (26.3)	89 ½ (227)

² - Dependent upon cartridge selection, fluid viscosity, and allowable pressure drop. See graph below for housing pressure drop at various flow rates. Refer to cartridge nomograph to determine initial pressure drop due to the filter cartridge. The 28MEGA⁺ may be used to provide longer cartridge life and lower initial pressure drop. A flow rate in excess of 100 gpm (379 lpm) is not recommended with 2" connections. Consult factory for higher flow rates.



³ - Side view shows sealing arrangement for DOE⁴ style cartridges on left (MEGA⁺-IP) and M3 (Code 3) or M8 (Code 8) style cartridges (M8 shown) on right (MEGA⁺ model).

Housing Differential Pressure vs. Liquid Flow Rate



Flow Rate (gpm), Water at 68°F (20°C)

For liquids other than water, multiply differential pressure by specific gravity.

Part Numbers/Ordering Information

■ MEGA⁺ ● - 2 ▼ (e.g., 14MEGA⁺2-2F)

Code	No. of 10" Equivalents
7	7
14	14
21	21
28	28

Code	No. of 10" Equivalents Per Column
1	1
2	2
3	3
4	4

Code	Connection Styles
Blank	NPT
F	Flange

⁴ - When using double open end style filter cartridges, tube guides and springs are required. Contact your Pall Distributor for part numbers.



25 Harbor Park Drive
Port Washington, New York 11050

+1 888 873 7255 (toll free in U.S. only)
+1 516 484 3600 phone
+1 516 484 0364 fax

Visit us on the Web at www.pall.com

Pall Corporation has offices and plants throughout the world in locations including: Argentina, Australia, Austria, Belgium, Brazil, Canada, China, France, Germany, India, Indonesia, Ireland, Italy, Japan, Korea, Malaysia, Mexico, the Netherlands, New Zealand, Norway, Poland, Puerto Rico, Russia, Singapore, South Africa, Spain, Sweden, Switzerland, Taiwan, Thailand, United Kingdom, United States, and Venezuela. Distributors are located in all major industrial areas of the world.