



MSO Horizontal High Flow Series Filter Housings

Horizontal ASME Code Multi-Cartridge Filter Housings

- Install on Floor or Suspend From Above for Increased Space Utilization
- Horizontal Positioning Simplifies Cartridge Change Out
- 150 PSIG (10.3 BAR) Maximum Operating Pressure Permits Use in a Wide Range of Applications
- ASME Code Section VIII, Division I "U" Stamp Available
- UNI-SEAL™ System Seals Filter Cartridges in Place Before Closing Housing
- 304 or 316 Stainless Steel Materials of Construction Optional

Housing Specifications

Maximum Operating Pressure:

Carbon Steel¹: 150 psig (10.3 bar) @ 500°F (260°C)

Stainless Steel: 150 psig (10.3 bar) @ 200°F (93°C)

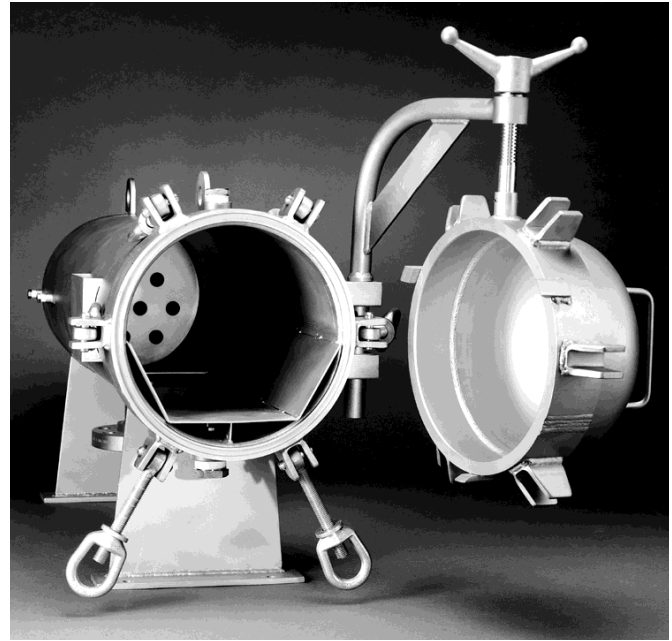
NOTE: Maximum operating pressure ratings are vessel ratings only. Safe operating temperature and pressure will depend on filter cartridge and gasket/O-ring used. For inquiries on compatibility, contact the factory or your Pall distributor.

Construction:

Standard: ASME UM Stamp, 48MSOH, ASME U Stamp, (76MSOH - 620MSOH)

Connections:

Inlet/Outlet: 3 - 12" Flange
 Body Drain: 1 ½" NPT
 Vent: 1" NPT
 Gauge¹: 1/4" NPT
 (Upstream/Downstream)



Shell O-rings: Buna N (standard), Neoprene, Viton² A, Silicone Elastomer, Ethylene Propylene

Cartridges:

MSO Horizontal housings require the DOE-1X (extended center core) style end configuration. The M3H style end configuration is for use with engineered housings only.

Internal Option:

Uni-Seal sealing system is standard.

Dimensional Data³ (nominal)

Model ⁴	Liquid ^{5,6} Flow Rate (gpm)	Number of 30" or 40" Cartridges	Dimensions (inches)						Inlet/Outlet (inches)	Weight (pounds)
			A	B	C	D	E	F		
48MSOH4-3FD-C150	to 240 (909 lpm)	12	58 (147 cm)	24 (61 cm)	10 (25.4 cm)	14 (35.6 cm)	33 (83.8 cm)	12 (30.5 cm)	3 (7.6 cm)	300 (136 kg)
76MSOH4-4FD-C150	to 380 (1439 lpm)	19	61 (155 cm)	27 (69 cm)	12 (30.5 cm)	16 (40.6 cm)	37 (94 cm)	16 (40.6 cm)	4 (10.2 cm)	370 (168 kg)
111MSOH3-4FD-C150	to 555 (2101 lpm)	37	54 (137 cm)	23 (58 cm)	14 (35.6 cm)	18 (45.7 cm)	42 (106.7 cm)	20 (50.8 cm)	4 (10.2 cm)	580 (263 kg)
148MSOH4-6FD-C150	to 740 (2801 lpm)	37	65 (165 cm)	30 (76 cm)	14 (35.6 cm)	18 (45.7 cm)	42 (106.7 cm)	20 (50.8 cm)	6 (15.2 cm)	615 (279 kg)
171MSOH3-6FD-C150	to 855 (3237 lpm)	57	57 (145 cm)	25 (64 cm)	16 (40.6 cm)	20 (50.8 cm)	45 (114.3 cm)	24 (61 cm)	6 (15.2 cm)	750 (340 kg)
228MSOH4-6FD-C150	to 1140 (4315 lpm)	57	67 (170 cm)	30 (76 cm)	16 (40.6 cm)	20 (50.8 cm)	45 (114.3 cm)	24 (61 cm)	6 (15.2 cm)	800 (363 kg)
267MSOH3-8FD-C150	to 1335 (5054 lpm)	89	61 (155 cm)	27 (69 cm)	19 (48.3 cm)	23 (58.4 cm)	51 (130 cm)	30 (76.2 cm)	8 (20.3 cm)	1180 (535 kg)
356MSOH4-8FD-C150	to 1780 (6738 lpm)	89	71 (180 cm)	32 (81 cm)	19 (48.3 cm)	23 (58.4 cm)	51 (130 cm)	30 (76.2 cm)	8 (20.3 cm)	1250 (567 kg)

¹ - Steel housings are equipped with stainless steel internal parts.

² - Registered trademark of DuPont Dow.

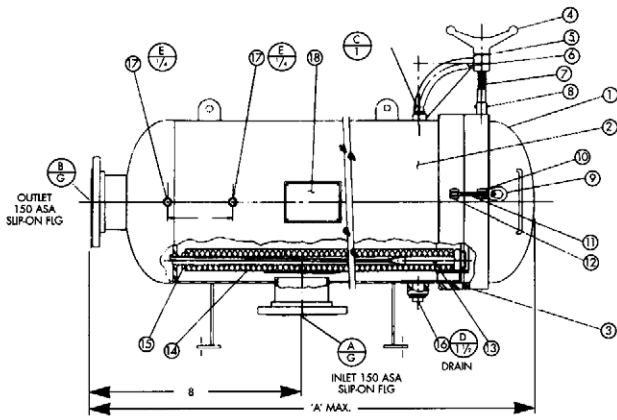
³ - Data presented in this section represents typical dimensions for MSO housings. For critical installation requirements, request certified drawing.

⁴ - The model numbers listed here denote welded carbon steel construction. For 304 or 316 stainless steel, insert the respective number (304 or 316) after the model number (i.e., 76MSOH4-304-4FD-C150).

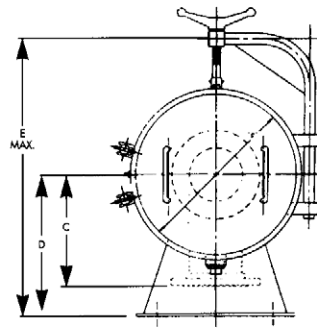
⁵ - Actual flow rate is a function of filter media type, particle type, size distribution and concentration, and fluid viscosity.

⁶ - Flow rates listed are for depth cartridges. Consult factory for more specific information.

SIDE VIEW



FRONT VIEW



Item No	Description	Item No	Description	Item No	Description
1	Filter Cover	8	Davit Pin	15	Separator Seat Plates
2	Filter Tank	9	Eyebolt	16	Drain Plug (NPT)
3	O-ring	10	Washer	17	Gauge Plug (NPT)
4	Davit Handwheel	11	Eyebolt	18	Vent Plug (NPT)
5	Davit Bushing	12	Eyebolt Pin	19	Nameplate
6	Davit Arm ⁷	13	Uni-seal		
7	Davit Screw	14	Filter Cartridge		

⁷ - Davit arms are carbon steel on stainless steel housings. Stainless steel davit arms are optional.

Part Numbers/Ordering Information

■ MSOH ● - ◆ ▼ D - C 150 (e.g., 48MSOH4-4FD-C150U)

Code	No. of 10" Equivalents
48	48
76	76
111	111
148	148
171	171
228	228
267	267
356	356
620	620

Code	No. of 10" Equivalents Per Column
3	3
4	4

Code	Connection Styles
F	Flange

Code	ASME Stamp Designation
UM	UM Stamp
U	U Stamp

Code	Inlet/Outlet Connection Sizes
3	3"
4	4"
6	6"
8	8"
12	12"



2200 Northern Boulevard.
East Hills, New York 11548-1289

1.800.FILTERS toll free
516.484.5400 phone
516.484.3216 fax
information@pall.com e-mail

Visit us on the Web at www.pall.com

Pall Corporation has offices and plants throughout the world in locations including: Argentina, Australia, Austria, Belgium, Brazil, Canada, China, France, Germany, Hong Kong, India, Indonesia, Ireland, Italy, Japan, Korea, Malaysia, Mexico, the Netherlands, New Zealand, Norway, Poland, Puerto Rico, Russia, Singapore, South Africa, Spain, Sweden, Switzerland, Taiwan, Thailand, United Kingdom, United States, and Venezuela. Distributors are located in all major industrial areas of the world.