

## MSO Medium Flow Series Filter Housings

### ASME Code Multi-Cartridge Filter Housing

- Accepts Six 10" (25.4 cm), 20" (50.8 cm), 30" (76.2 cm) or 40" (102 cm) DOE Style Filter Cartridges
- Housings Can Be Easily Modified To Accept SOE Style Cartridges
- Carbon Steel and 304 Stainless Steel Materials of Construction
- 150 PSIG (10.3 BAR) Maximum Operating Pressure Permits Use In A Wide Range of Applications
- ASME Code Section VIII, Division I "U" Stamp Available
- ACCU-SEAL™ and UNI-SEAL™ Sealing Devices Permit Fast and Easy Operation

### Housing Specifications

#### Maximum Operating Pressure:

Carbon Steel: 150 psig (10.3 bar) @ 500°F (260°C)

Stainless Steel: 150 psig (10.3 bar) @ 200°F (93°C)

*NOTE: Maximum operating pressure ratings are vessel ratings only. Safe operating temperature and pressure will depend on filter cartridge and gasket/O-ring used. For inquiries on compatibility, contact the factory or your Pall distributor.*

#### Code Construction:

Standard: ASME UM Stamp

Optional: ASME U Stamp

#### Connections:

Inlet/Outlet: 2" NPT

Drain: 1/2" NPT

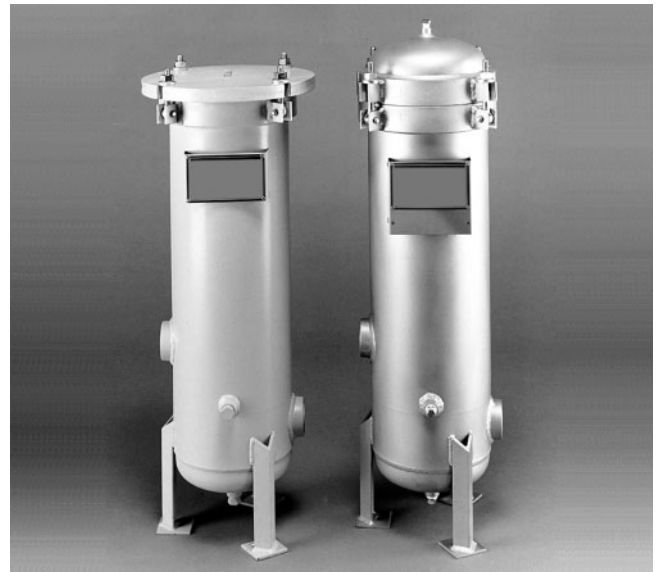
Vent: 1/4" NPT

#### Connection Option:

Inlet/Outlet : 150 lb., 2" slip-on flanges

**Shell O-rings:** Buna N (standard), Silicone Elastomer, Neoprene, Viton<sup>1</sup> A, Ethylene Propylene

<sup>1</sup> Registered trademark of DuPont Dow



#### Internal Components:

316 stainless steel top seat plate assemblies and tube guides are standard with internal parts option. Accu-Seal and Uni-Seal are optional.

#### Reverse Flow Option:

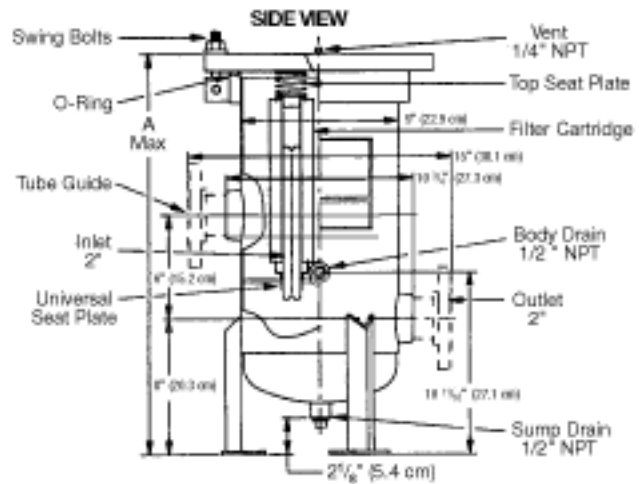
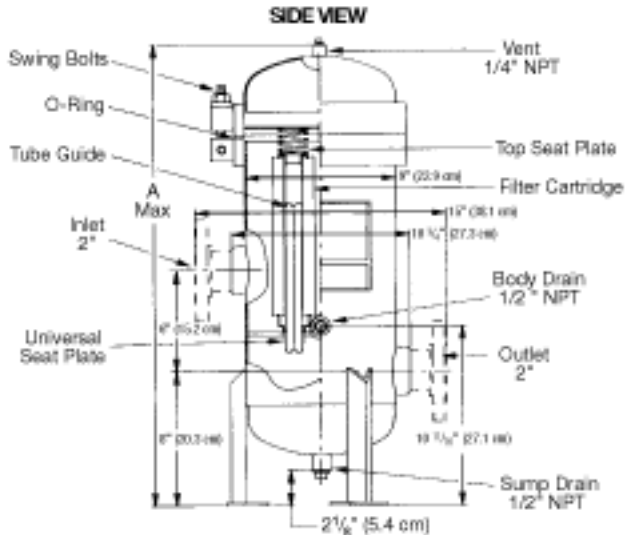
Housings can be modified for reverse flow applications.

### Dimensional Data

Stainless Steel	A (inches)	Flow Rate (gpm) <sup>2</sup>
6MSO1	29 (73.7 cm)	30 (114 lpm)
12MSO2	39 (99.1 cm)	60 (227 lpm)
18MSO3	50 (127 cm)	90 (341 lpm)
24MSO4	60 (152 cm)	120 (454 lpm)

Carbon Steel	A (inches)	Flow Rate (gpm) <sup>2</sup>
6MSO1	24 (61 cm)	30 (114 lpm)
12MSO2	34 (86.4 cm)	60 (227 lpm)
18MSO3	45 (114.3 cm)	90 (341 lpm)
24MSO4	55 (139.7 cm)	120 (454 lpm)

<sup>2</sup> Flow rates listed are for depth cartridges. Consult factory for more specific information.



Data presented in this section represents typical dimensions for MSO housings. For critical requirements, request a certified drawing.

### Part Numbers/Ordering Information

■ MSO ● - ▶ 2 ▼ C150 ▶ - ☉ - ☆ (e.g., 6MSO1-304-2F-C150U-IP-RV)

Code ■	No. of 10" Equivalents
6	6
12	12
18	18
24	24

Code ●	No. of Decks
1	1
2	2
3	3
4	4

Code ▶	Materials of Construction
Blank	Carbon Steel
304	304 Stainless Steel

Code ▼	Connection Styles
Blank	NPT
F	Flange

Code ▶	ASME Stamp Designation
UM	UM Stamp
U	U Stamp

Code ☉	Internal Parts <sup>3</sup>
Blank	No Internal Parts
IP	Internal Parts

Code ☆	Reverse Flow Option
Blank	Standard Flow
RV	Reverse Flow

<sup>3</sup> Standard vessels include internal parts of top seat plates and tube guides. Basic vessels without internal parts may be ordered as non-stock items.



2200 Northern Boulevard  
East Hills, New York 11548-1289

1.800.FILTERS toll free  
516.484.5400 phone  
516.484.0364 fax  
filterite@pall.com e-mail

Visit us on the Web at [www.pall.com](http://www.pall.com)

Pall Corporation has offices and plants throughout the world in locations including: Argentina, Australia, Austria, Belgium, Brazil, Canada, China, France, Germany, Hong Kong, India, Indonesia, Ireland, Italy, Japan, Korea, Malaysia, Mexico, the Netherlands, New Zealand, Norway, Poland, Puerto Rico, Russia, Singapore, South Africa, Spain, Sweden, Switzerland, Taiwan, Thailand, United Kingdom, United States, and Venezuela. Distributors are located in all major industrial areas of the world.

Filtration. Separation. Solution.<sup>SM</sup>

© Copyright 2004, Pall Corporation. Pall, PALL, ACCU-SEAL and UNI-SEAL are trademarks of Pall Corporation. ® Indicates a Pall trademark registered in the USA. Filtration. Separation. Solution.<sup>SM</sup> is a service mark of Pall Corporation.