

PPS Non-Metallic Series Filter Housings

Durable, Corrosion Resistant Design for Liquid Applications

- Polypropylene head with choice of polypropylene or SAN¹ shells
- Cost effective alternative to stainless steel in aggressive fluid applications
- Housing designed to accept DOE and Pall's M10 (Code 10) and M20 (Code 20) internal O-ring seal filter cartridges
- Fixed guides ensure proper alignment and seating of cartridges
- Optional mounting bracket assemblies in two styles
- SAN/polypropylene combination offers excellent compatibility and on-site observation of flow, life and performance
- Available with pressure relief button on inlet side of cap

Housing Specifications

Maximum operating pressure

8.6 bar (125 psig) @ 52°C (125°F)

NOTE: Maximum operating pressure ratings are vessel ratings only. Safe operating temperature and pressure will depend on filter cartridge and gasket/O-ring used. For inquiries on compatibility, contact Pall or your local Pall distributor.

Construction

PPS-U:
PPS-UP:

Head²

Polypropylene
Polypropylene

Shell

Polypropylene
SAN (Styrene
Acrylonitrile)¹

Connection

Inlet/outlet: 3/4" NPT

Shell O-rings

Nitrile (standard), silicone elastomer,
fluorocarbon elastomer

Standard colors

PPS-U: Blue head and blue shell
PPS-UP: Blue head and clear shell

Options

Pressure relief button

Specify -PR on ordering information

Mounting bracket assembly

Order separately
"U" Style Bracket: Part # T11018031
"L" Style Bracket: Part # T11018030

¹ SAN available in 25.4 cm (10 in) only

² Housing head has mounting bosses which accept self-tapping screws for attaching the "L" style bracket to housing. "U" style bracket mounts over the inlet/outlet piping.



Cartridge Specification Table

Configuration	Cartridge Lengths cm (in)	
	25.4 (10)	50.8 (20)
DOE (Pleated)	24.9 (9.8)	50.8 (20)
DOE (Depth)	25.1 (9.875)	50.8 (20)
M10/M20	25.4 (10)	50.8 (20)

NOTE: If a silicone free housing is required, Pall recommends using the LMO metallic housing.

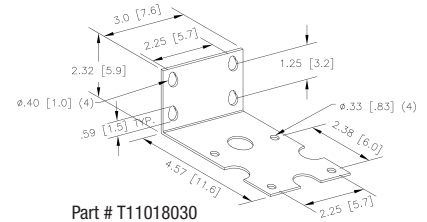
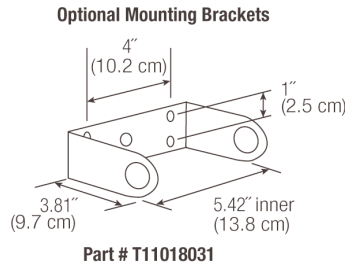
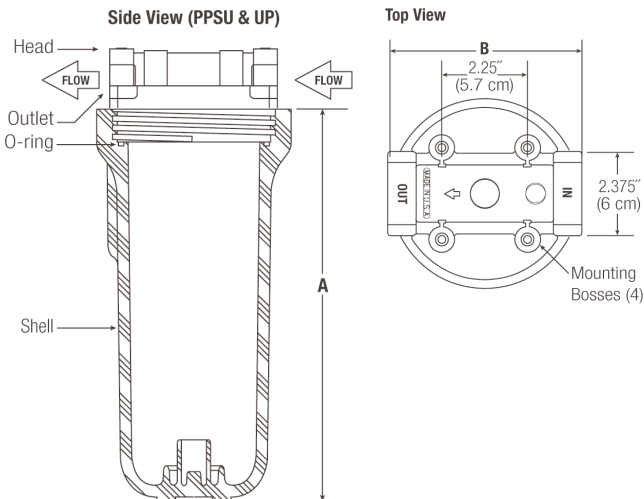
Selection Criteria

	PPS-U	PPS-UP
Ultra violet light	Recommended	Fair
Strong acid	Recommended	Fair
Weak acid (<20%)	Recommended	Recommended
Organic solvent	Recommended	Not recommended
Strong oxidizing agent	Recommended	Not tested
Weak base (<20%)	Recommended	Recommended
Strong base	Recommended	Fair

Dimensional Data (nominal)

Model	Liquid Flow Rate ³ lpm (gpm)	Dimensions cm (in)		Weight kg (lb)
		A	B	
PPS10U-3/4	to 28 (7.5)	31.1 (12.25)	13 (5.125)	1.8 (4.0)
PPS10UP-3/4	to 28 (7.5)	30.8 (12.125)	13 (5.125)	1.4 (3.0)
PPS20U-3/4	to 57 (15)	56.8 (22.375)	13 (5.125)	2.0 (4.4)

³ Dependent upon cartridge selection, fluid viscosity, and allowable pressure drop.



Ordering Information

Pall Part Number = - 3/4

Table 1

Code	Cartridge lengths cm/in
10	25.4/10
20	50.8/20

Table 2

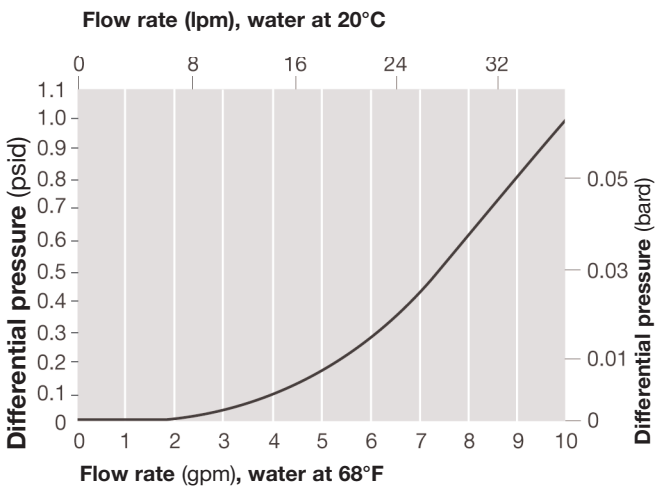
Code	Materials of construction (shell)
U	Polypropylene (20 in only)
UP	SAN (10 in only)

Table 3

Code	Pressure relief
PR	Pressure relief button
Blank ⁴	No pressure relief button

⁴ Available only with PPS10U - 3/4 and PPS10UP - 3/4 models.

Housing Differential Pressure vs. Liquid Flow Rate



Unit conversion: 1 bar = 100KPa

For liquids other than water, multiply the pressure drop by the specific gravity of the fluid.

This housing is not recommended for compressed air or gas service. It is suitable for use with fully compatible* liquids only. This housing is not recommended for acid service at the pressure shown. Please contact Pall for detailed compatibility information.

* which do not soften, swell or adversely affect the product or its materials of construction.

NOTE: Use of this product in a manner other than in accordance with Pall's current recommendations may lead to injury or loss. Pall cannot accept liability for such injury or loss.



25 Harbor Park Drive
Port Washington, NY 11050
+1 516 484 3600 telephone
+1 800 289 7255 toll free US

Visit us on the Web at www.pall.com

Pall Corporation has offices and plants throughout the world. For Pall representatives in your area, please go to www.pall.com/contact

Please contact Pall Corporation to verify that the product conforms to your national legislation and/or regional regulatory requirements for water and food contact use.

Because of technological developments related to the products, systems, and/or services described herein, the data and procedures are subject to change without notice. Please consult your Pall representative or visit www.pall.com to verify that this information remains valid.

© Copyright 2004, 2011, Pall Corporation. Pall and are trademarks of Pall Corporation. ® indicates a trademark registered in the USA. Filtration. Separation. Solution.SM is a service mark of Pall Corporation.