

## TKO 500 Series Filter Housings

### Five-Around, Multi-Cartridge Housings

- 150 psig (10.3 bar) Maximum Operating Pressure Permits Use in a Wide Range of Applications
- Accepts Pall M3 (Code 3), M8 (Code 8) or DOE Style Filter Cartridges
- Accepts Five 10" (25.4 cm), 20" (50.8 cm), 30" (76.2 cm), or 40" (102 cm) Cartridges for an Optimum Choice at a Given Flow Rate
- Heavy Duty V-Clamp Closure Allows Quick, Easy Cartridge Change Out
- 304 or 316L Stainless Steel Materials of Construction for Maximum Corrosion Resistance in a Non-Code Housing

### Housing Specifications

#### Maximum Operating Pressure<sup>1</sup> (liquid service):

150 psig (10.3 bar) @ 200°F (93°C)

**NOTE:** Maximum operating pressure ratings are vessel ratings only. Safe operating temperature and pressure will depend on filter cartridge and gasket/O-ring used. For cyclical service please consult your Pall representative.

Construction:	<u>A</u>	<u>SL</u>
Head:	304 Stainless Steel	316L Stainless Steel
Shell:	304 Stainless Steel	316L Stainless Steel
Vent Plug:	304 Stainless Steel	316 Stainless Steel
Drain Cap:	304 Stainless Steel	316 Stainless Steel
Bottom Seat Plate:	316L Stainless Steel	316L Stainless Steel

#### Connections:

Inlet/Outlet:	1 ½", 2" NPT
Vent:	¾" NPT
Drain:	¼" NPT

**Shell O-rings:** Ethylene Propylene (standard),  
Nitrile, Fluorocarbon Elastomer,  
Silicone Elastomer

#### Connection Option:

Available with 150 lb. ANSI raised face flanges.

#### Internal Components:

316 stainless steel top seat plate assemblies and tube guides are standard with internal parts option.



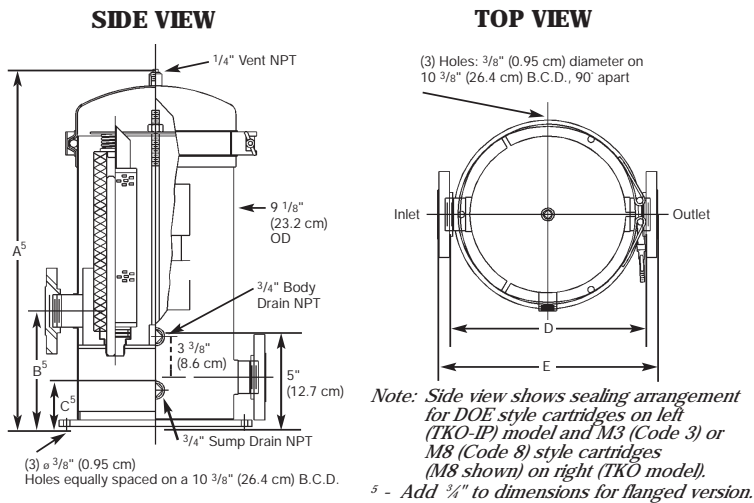
<sup>1</sup> - Not for use with compressed gases.

## Dimensional Data (nominal)

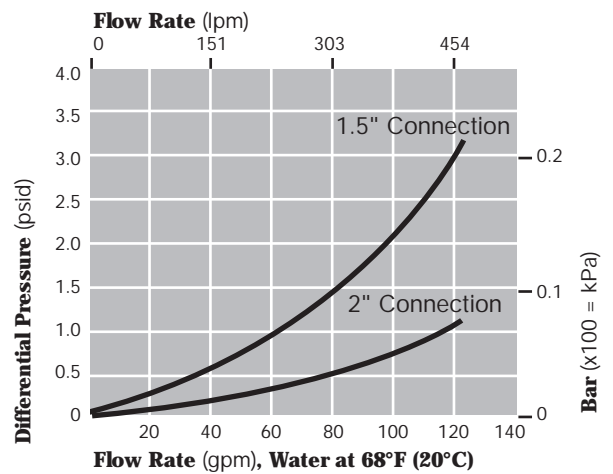
Model	Liquid <sup>3</sup> Flow Rates gpm (lpm)	Dimensions - inches (cm)					Maximum Cartridge Diameter - inches (cm)	Weight - pounds (kg)	Overhead <sup>4</sup> Clearance Required For Cartridge Removal - inches (cm)
		A	B	C	D	E			
5TKO1-1.5	to 25 (94.6)	20 3/4 (52.7)	6 3/4 (17.1)	2 7/8 (7.3)	12 (30.5)	12 7/8 (32.7)	2 3/4 (7)	37 (17)	31 (78.7)
10TKO2-1.5	to 50 (189.3)	29 1/4 (74.3)	6 3/4 (17.1)	2 7/8 (7.3)	12 (30.5)	12 7/8 (32.7)	2 3/4 (7)	42 (19)	48 1/2 (123.2)
15TKO3-2	to 75 (284)	39 1/4 (101)	6 3/4 (17.1)	2 7/8 (7.3)	12 (30.5)	12 7/8 (32.7)	2 3/4 (7)	48 (22)	72 (183)
20TKO4-2	to 100 (379)	50 1/4 (127.6)	6 3/4 (17.1)	2 7/8 (7.3)	12 (30.5)	12 7/8 (32.7)	2 3/4 (7)	54 (25)	89 1/2 (227.3)

<sup>3</sup> - Flow rates are listed for depth cartridges. Consult factory for more specific information.

<sup>4</sup> - 10-inch cartridges may be used instead of 20", 30", or 40" cartridges in 2, 3, or 4-deck TKO-IP housings, which will reduce this height. When using 10-inch cartridges in multi-deck housings, cartridge spacers are required. For 316 stainless steel spacers, specify Part #T10583032.



## Housing Differential Pressure vs. Liquid Flow Rate



For liquids other than water, multiply differential pressure by specific gravity.

## Part Numbers/Ordering Information

TKO ● ◀ ▶ ◆ ▼ - ☉ (e.g., 10TKO2A-1.5F-IP)

Code	No. of 10" Equivalents
5	5
10	10
15	15
20	20

Code	No. of 10" Equivalents Per Column
1	1
2	2
3	3
4	4

Code	Materials of Construction
A	304 Stainless Steel
SL	316 Stainless Steel

Code	Connection Styles
Blank	NPT
F	Flange

Code	Inlet/Outlet Connection Sizes
1.5	1.5" (standard) on 5 & 10 TKO
2	2" (standard) on 15 & 20 TKO

Code	Internal Parts <sup>6</sup>
Blank	No Internal Parts
IP	Internal Parts

<sup>6</sup> - Standard vessels include internal parts of top seat plates and tube guides. Basic vessels without internal parts may be ordered as non-stock items.



25 Harbor Park Drive  
Port Washington, New York 11050

+1 888 873 7255 (toll free in U.S. only)  
+1 516 484 3600 phone  
+1 516 484 0364 fax

Visit us on the Web at [www.pall.com](http://www.pall.com)

Pall Corporation has offices and plants throughout the world in locations including: Argentina, Australia, Austria, Belgium, Brazil, Canada, China, France, Germany, India, Indonesia, Ireland, Italy, Japan, Korea, Malaysia, Mexico, the Netherlands, New Zealand, Norway, Poland, Puerto Rico, Russia, Singapore, South Africa, Spain, Sweden, Switzerland, Taiwan, Thailand, United Kingdom, United States, and Venezuela. Distributors are located in all major industrial areas of the world.