



47 mm In-line Filter Holder, Aluminum



- Designed for in-line liquid or gas pressure filtration or stack sampling.
- Manufactured from anodized aluminum.
- Lightweight and easy to use.

Ordering Information

Prod. No.	Description	Packaging
1235	47 mm In-line filter holder	1/pkg

Specifications

Materials of Construction

Inlet Cover, Outlet Base, and Open Cap: Anodized aluminum
 Underdrain Disc and Support Screen: Electropolished type 316 stainless steel
 Hose Barb Adapters: Polyethylene
 O-ring: Viton®
 Thrust Ring: PTFE

Effective Filtration Area

9.6 cm²

Dimensions

Overall Length: 5.7 cm (2.2 in.) excluding hose barbs
 Diameter: 5.9 cm (2.3 in.)

Inlet/Outlet Connections

3/8 in. FNPT; hose barb adapters accept 6.4 mm (1/4 in.) ID tubing

Maximum Operating Temperature

Limited by membrane filter type or hose barb adapter 93 °C (199 °F) or O-ring 204 °C (399 °F)

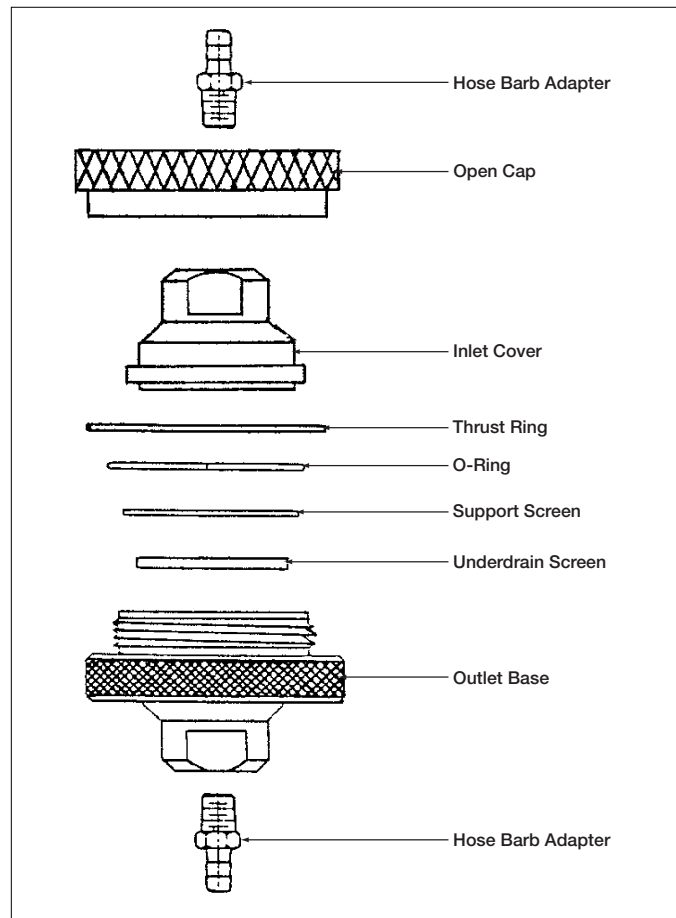
Maximum Operating Pressure

14 bar (1400 kPa, 200 psi)

Sterilization

Provided non-sterile; autoclavable if desired at 121 - 123 °C (250 - 253 °F) at approximately 1.0 bar (100 kPa, 15 psi) for 15 - 20 minutes. Stainless steel hose barb adapters must be used as polyethylene hose barbs are not autoclavable at standard temperatures.

Instructions for Use



1. Up-down orientation of the perforated-textured underdrain screen is critical, particularly in those applications where the filter holder is subjected to high differential pressures.
2. To distinguish the two sides of the underdrain screen, study it and note that the diamond texturing differs from one side to the other.
3. Place the screen in the holder so the edges of the diamonds are up and support the thin photo-etched screen.
4. Failure to maintain correct orientation of the underdrain screen may result in permanent distortion of the relatively fragile photo-etched screen that supports the membrane filter.

Cleaning/Autoclaving Instructions

1. To clean the filter holder, disassemble the unit and clean with a non-abrasive cleanser.
2. Rinse thoroughly in deionized water. DO NOT SOAK because deionized water may cause corrosion.
3. Allow to air dry.
4. If autoclaving is required, stainless steel hose barb adapters **MUST** be used. Reassemble the unit loosely with or without the membrane filter in place.
5. Wrap the assembled filter holder in autoclave paper.
6. Autoclave at a maximum of 121 - 123 °C (250 - 253 °F) at approximately 1.0 bar (100 kPa, 15 psi) for 15 - 20 minutes. The maximum autoclave temperature may be limited by the membrane type. Please refer to the membrane specifications for complete information.
7. Avoid using steam containing amines. It may cause the membrane filter to become brittle and/or contaminate the product or solution being filtered.



Replacement Parts

Prod. No.	Description	Packaging
72970	Support screen, type 316 stainless steel	1/pkg
72971	Underdrain disc, type 316 stainless steel	1/pkg
71242	O-ring, Viton*	1/pkg
73184	Hose barb, adapter, polyethylene, 3/8 in. MNPT to 6.4 mm (1/4 in.) ID tubing	1/pkg
71736	Open cap, aluminum	1/pkg
71737	Inlet cover, aluminum	1/pkg
71243	Thrust ring, PTFE	1/pkg
81377	Hose barb adapter, type 316 stainless steel, 3/8 in. MNPT to 6.4 mm (1/4 in.) ID tubing	1/pkg

WARNING

Employment of the products in applications not specified, or failure to follow all instructions contained in this product information insert, may result in improper functioning of the product, personal injury, or damage to property or the product. See Statement of Warranty in our most recent catalog.

ATTENTION

L'utilisation de nos produits dans des applications pour lesquelles ils ne sont pas spécifiés ou le non-respect du mode d'emploi qui figure sur ce document, peut entraîner un dysfonctionnement du produit, endommager le produit ou d'autres biens matériels ou représenter un risque pour l'utilisateur. Se référer à la clause de garantie de notre catalogue le plus récent.

ACHTUNG

Der Einsatz dieses Produktes in Anwendungen für die es nicht spezifiziert ist, oder das Nichtbeachten einiger, in dieser Bedienungsanleitung gegebenen Hinweise kann zu einem schlechteren Ergebnis, oder Zerstörung des Produktes oder anderer Dinge oder gar zu Verletzungen führen. Beachten Sie auch unsere Garantiebedingungen im aktuellen Katalog.

ADVERTENCIA

El uso de este producto en aplicaciones no especificadas o el no considerar las instrucciones indicadas en la hoja de información del producto puede ocasionar un mal funcionamiento del producto, daños en las instalaciones o en el producto y riesgo para el personal del laboratorio. Consulte el apartado de Garantía en nuestro último catálogo.

ATTENZIONE

L'impiego dei prodotti in applicazioni non specificate, o il mancato rispetto di tutte le istruzioni contenute nel presente bollettino tecnico, potrebbero portare ad un utilizzo improprio del prodotto, ferire gli operatori, o danneggiare le caratteristiche del prodotto stesso. Consultare la dichiarazione di garanzia pubblicata nel nostro più recente catalogo.

警告

当製品情報に記載されていないアプリケーションにおいて製品を使用した場合、あるいは当製品情報に記載されている使用方法に従わない場合は、製品の機能上の不具合、人体への危害、あるいはお客様の財産や製品への損害をまねく恐れがあります。必ず、最新のカタログに記載してある保証約款をご覧ください。

Pall Life Sciences

600 South Wagner Road
Ann Arbor, MI 48103-9019 USA

For ordering or technical information:
Tel: 734-665-0651
800-521-1520 (in USA)
Fax: 734-913-6114

Visit Pall Life Sciences on the
Internet: www.pall.com/Lab or
e-mail us at: Lab@pall.com

Offices:

Australia, Lane Cove, NSW, 02 9424-3000

Austria, Wien, 00 1 49 192 0

Canada, Ontario, 905-542-0330

Canada, Québec, 514-332-7255

China, P.R., Beijing, 86-10-8458 4010

France, St. Germain-en-Laye, 01 30 61 39 92

Germany, Dreieich, 06103-307 333

India, Mumbai, 91 (0) 22 55995555

Italy, Milano, 02 47 79 61

Japan, Tokyo, 03-6901-5800

Korea, Seoul, 82-2-560-7834

Malaysia, Selangor, +60 3 5569 4892

New Zealand, Hamilton, +64 7 957 9510

Poland, Warszawa, 22 510 2100

Russia, Moscow, 5 01 787 76 14

Singapore, (65) 389-6500

South Africa, Johannesburg, +27-11-2662300

Spain, Madrid, 91-657-9876

Sweden, Lund, (0)46 158400

Switzerland, Basel, 061-638 39 00

Taiwan, Taipei, 886 2 2545 5991

Thailand, Bangkok, 66 2937 1055

United Kingdom, Farlington, 02392 302600

Pall and are trademarks of Pall Corporation. *Viton is a trademark of DuPont Dow Elastomers, L.L.C. © indicates a registered trademark in the USA.