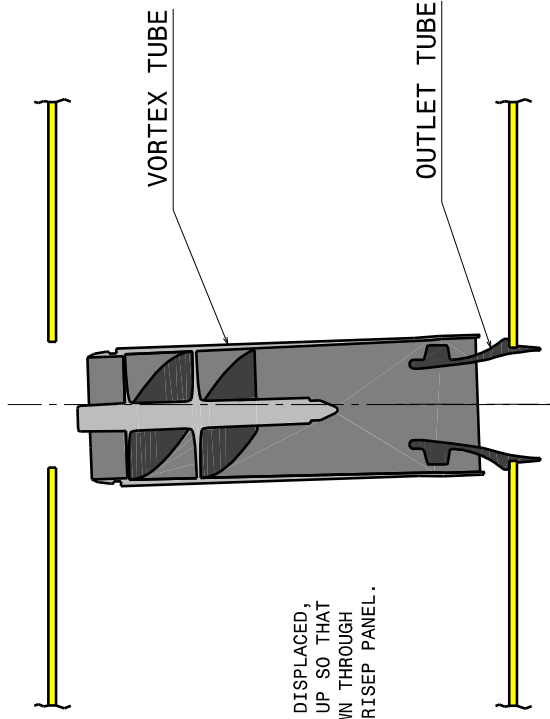
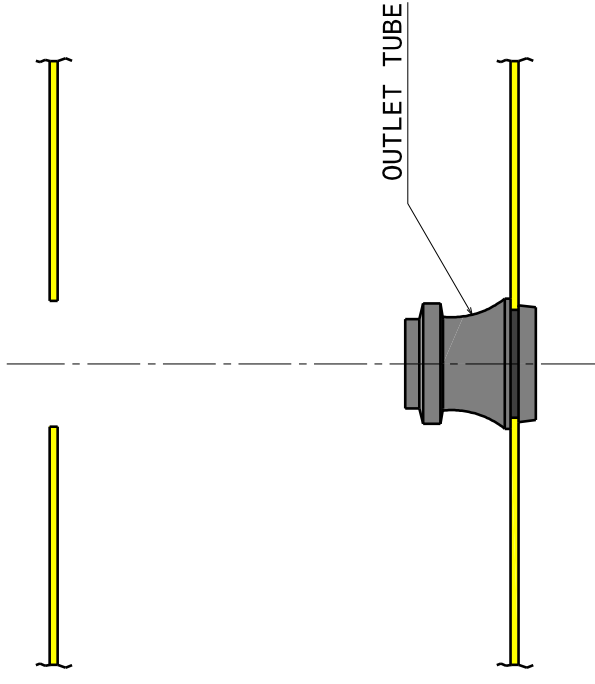


VORTEX TUBE DISPLACED

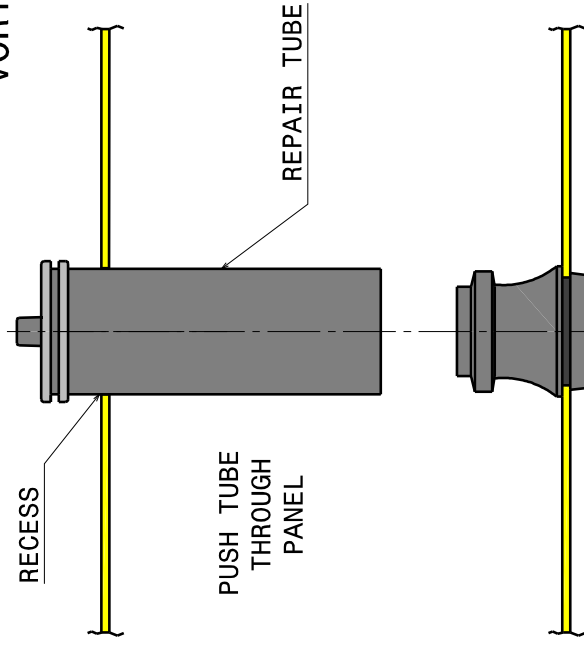


NOTE:
IF VORTEX TUBE IS DISPLACED,
CAREFULLY BREAK IT UP SO THAT
IT CAN BE WITHDRAWN THROUGH
THE HOLE IN THE CENTRISEF PANEL.

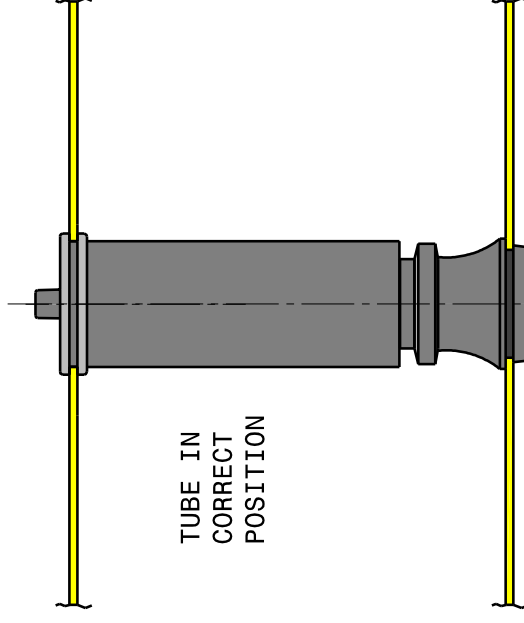
VORTEX TUBE MISSING



VORTEX TUBE REPAIR



1. INSERT REPAIR TUBE AS SHOWN.



2. PUSH NEW TUBE THROUGH PANEL
UNTIL IT LOCKS IN THE RECESS.