



LMO High Pressure Series Filter Housings

Accepts 10 in (25.4 cm) or 20 in (50.8 cm) Double Open End Filter Cartridges

- Designed and constructed specifically for high pressure applications (750 or 1000 PSIG)
- Standard multi-bolt closure design provides safe, trouble-free sealing
- In-line inlet and outlet connections ensure easy installation
- Eye nut and flange options available
- Not for use with non-compressible filter cartridges such as pleated, carbon, metallic, and membrane.
For non-compressible cartridges use the LMOVS-HP/VHP Series housings.

Housing Specifications

Maximum Operating Pressure:

HP: 750 psig (51.7 bar) @ 250°F (121°C)

VHP: 1000 psig (69 bar) @ 250°F (121°C)

Material of Construction:

316 Stainless Steel

Connections:

Inlet/Outlet: ¾" NPT

Drain: ¼" NPT

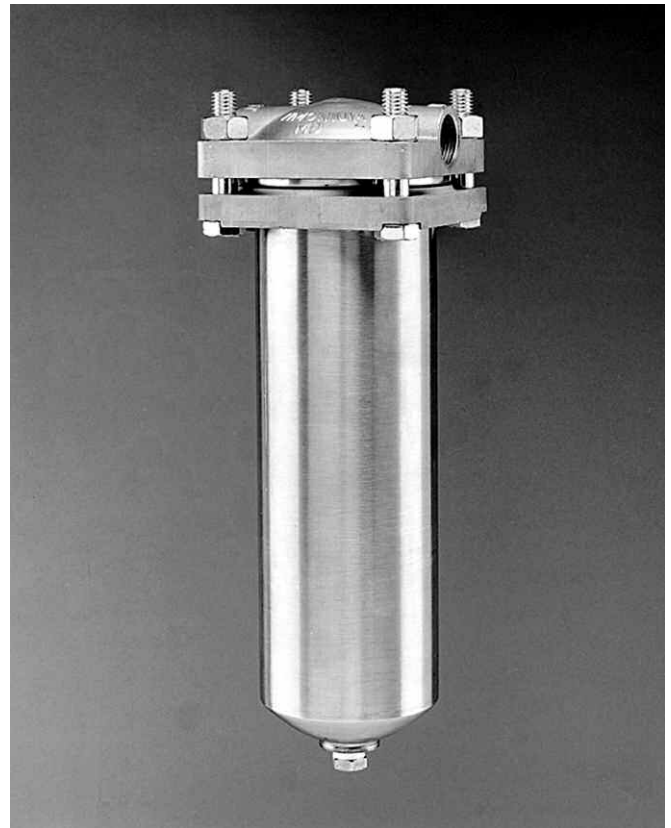
Shell O-rings: Ethylene Propylene (standard), Nitrile, FEP, Fluorocarbon Elastomer, Neoprene, Silicone Elastomer

Eye Nut Option:

Zinc plated steel eye nuts are available. Four eye nuts (Part #T10640030) are required. Standard units are supplied with hex nuts.

Flange Option:

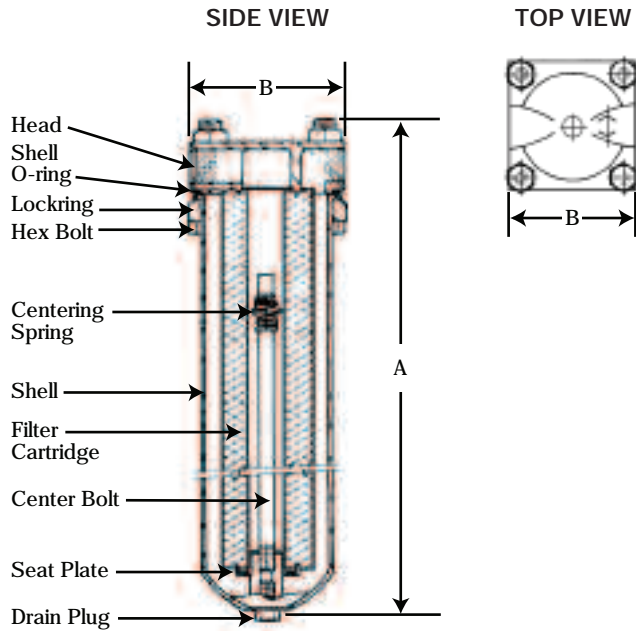
LMOHP housings are available with ¾" welded flanges.



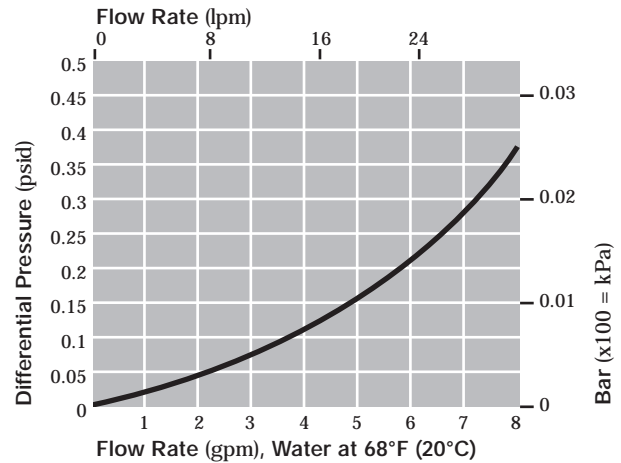
Dimensional Data (nominal)

Model	Flow Rate ¹ gpm	Dimensions (inches)		Weight (pounds)
		A	B	
LMO10S - ¼ HP	to 10 (37.9 lpm)	13 (33 cm)	4 ¾ (11.1 cm)	10 (4.5 kg)
LMO20S - ¼ HP	to 20 (75.7 lpm)	23 (58.4 cm)	4 ¾ (11.1 cm)	13 (5.9 kg)
LMO10S - ¼ VHP	to 10 (37.9 lpm)	13 (33 cm)	4 ¾ (11.1 cm)	10 (4.5 kg)
LMO20S - ¼ VHP	to 20 (75.7 lpm)	23 (58.4 cm)	4 ¾ (11.1 cm)	13 (5.9 kg)

¹ Dependent upon cartridge selection, fluid viscosity, and allowable pressure drop.



Housing Differential Pressure vs. Liquid Flow Rate



For liquids other than water, multiply differential pressure by specific gravity.

Part Numbers/Ordering Information

LMO ● S - ¼ ▼ ☆ (e.g., LMO10S-¼FHP)

Code ●	Cartridge Lengths
10	10"
20	20"

Code ▼	Connection Styles
Blank	NPT
F	Flange

Code ☆	Pressure Rating
HP	750 psig @250°F
VHP	1000 psig @250°F



25 Harbor Park Drive
Port Washington, NY 11050
+1 516 484 3600 telephone
+1 800 289 7255 toll free US

Visit us on the Web at www.pall.com

Pall Corporation has offices and plants throughout the world. For Pall representatives in your area, please go to www.pall.com/contact.

Please contact Pall Corporation for product applicability to specific National legislation and/or Regional Regulatory requirements for water and food contact use.

Because of technological developments related to the products, systems, and/or services described herein, the data and procedures are subject to change without notice. Please consult your Pall representative or visit www.pall.com to verify that this information remains valid.

© Copyright 2009, Pall Corporation. Pall and  are trademarks of Pall Corporation.

® Indicates a trademark registered in the USA. *Filtration. Separation. Solution.SM* is a service mark of Pall Corporation.