



MPH Series Filter Housings

Single Cartridge Housing Designed for Very High Working Pressures

- Available in 10" (25.4 cm), 20" (50.8 cm), or 30" (76.2 cm) Lengths
- Rated for 1500 and 3000 PSI Working Pressure
- Carbon Steel and 316 Stainless Steel Materials of Construction and Internal Parts
- Four Bolt Closure Design
- O-Ring Seal
- ASME Code Stamp Available
- Accepts DOE Style Filter Cartridges

Housing Specifications

Maximum Operating Pressure:

Carbon Steel: 1500 psig (103.4 bar) @ 250°F (121°C)
3000 psig (206.9 bar) @ 250°F (121°C)

Stainless Steel: 1500 psig (103.4 bar) @ 250°F (121°C)
3000 psig (206.9 bar) @ 250°F (121°C)

NOTE: Maximum operating pressure ratings are vessel ratings only. Safe operating temperature and pressure will depend on filter cartridge and gasket/O-ring used. For inquiries on compatibility, contact the factory or your Pall distributor.

Construction: Head/Shell Internals

Carbon Model: Carbon Steel¹
Stainless Model: 316 Stainless Steel

Connections:

Inlet/Outlet: 1" NPT (standard),
1" Flange,
1" Socket Weld (optional)
Drain: ¼" NPT

Shell O-rings: Buna N (standard), Viton² A,
Ethylene Propylene,
FEP Encapsulated Viton A

ASME Code Option:

Both 1500 and 3000 psi units are available with optional ASME Code "U" stamp.

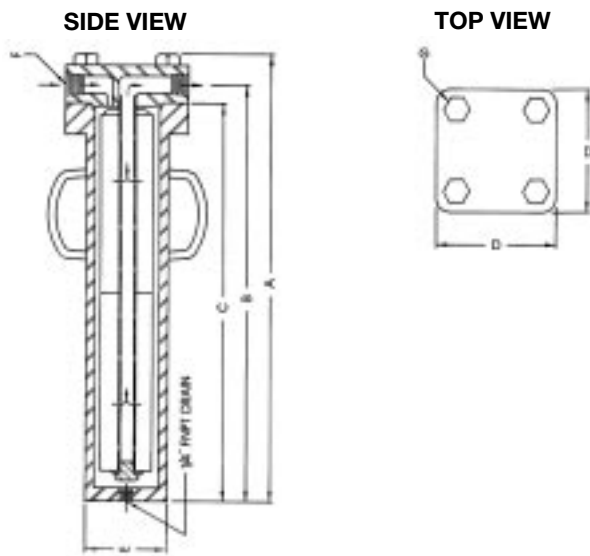


¹ - Painted exterior.

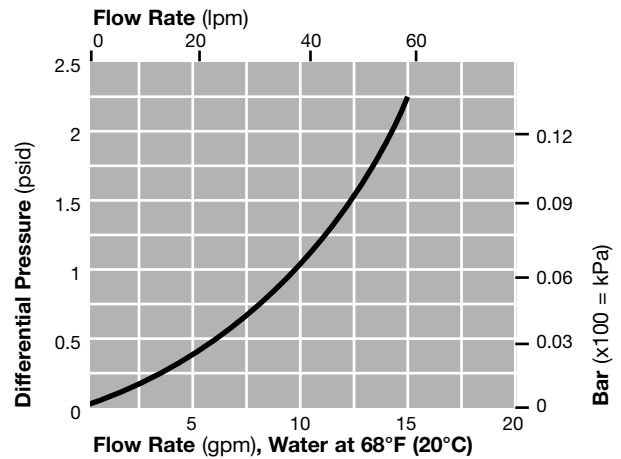
² - Registered trademark of DuPont Dow.

Dimensional Data (nominal)

Model	# Cartridges (10" equiv.)	Working Pressure (psi)	Weight (pounds)	Dimensions (inches)					
				A	B	C	D	E	F
1500MPH-10	1	1500 (103.4 bar)	27 (12.2 kg)	14 1/2 (36.8 cm)	13 (33.0 cm)	12 (30.5 cm)	4 5/8 (11.8 cm)	3 1/2 (8.9 cm)	1 (2.5 cm)
1500MPH-20	2	1500 (103.4 bar)	36 (16.3 kg)	24 1/2 (62.2 cm)	23 (58.4 cm)	22 (55.9 cm)	4 5/8 (11.8 cm)	3 1/2 (8.9 cm)	1 (2.5 cm)
1500MPH-30	3	1500 (103.4 bar)	45 (20.4 kg)	34 1/2 (87.6 cm)	33 (83.8 cm)	32 (81.3 cm)	4 5/8 (11.8 cm)	3 1/2 (8.9 cm)	1 (2.5 cm)
3000MPH-10	1	3000 (206.9 bar)	85 (38.6 kg)	16 (40.6 cm)	14 1/4 (36.2 cm)	13 (33.0 cm)	7 (17.8 cm)	3 1/2 (8.9 cm)	1 (2.5 cm)
3000MPH-20	2	3000 (206.9 bar)	110 (49.9 kg)	26 (66.0 cm)	24 1/4 (61.6 cm)	23 (58.4 cm)	7 (17.8 cm)	3 1/2 (8.9 cm)	1 (2.5 cm)
3000MPH-30	3	3000 (206.9 bar)	135 (61.2 kg)	36 (91.4 cm)	34 1/4 (87.0 cm)	33 (83.8 cm)	7 (17.8 cm)	3 1/2 (8.9 cm)	1 (2.5 cm)



Housing Differential Pressure vs. Liquid Flow Rate



For liquids other than water, multiply differential pressure by specific gravity.

Part Numbers/Ordering Information

★ MPH – ● ◆ – 1 ▼ (e.g., 1500MPH-10S-1F)

Code	Pressure Rating	Code	Cartridge Lengths
★		●	
1500	1500 psig	10	10"
3000	3000 psig	20	20"
		30	30"

Code	Materials of Construction
◆	
C	Carbon Steel
S	316 Stainless Steel

Code	Connection Styles
▼	
F	Flange
SW	Socket Weld



2200 Northern Boulevard.
East Hills, New York 11548-1289

1.800.FILTERS toll free
516.484.5400 phone
516.484.3216 fax
information@pall.com e-mail

Visit us on the Web at www.pall.com

Pall Corporation has offices and plants throughout the world in locations including: Argentina, Australia, Austria, Belgium, Brazil, Canada, China, France, Germany, Hong Kong, India, Indonesia, Ireland, Italy, Japan, Korea, Malaysia, Mexico, the Netherlands, New Zealand, Norway, Poland, Puerto Rico, Russia, Singapore, South Africa, Spain, Sweden, Switzerland, Taiwan, Thailand, United Kingdom, United States, and Venezuela. Distributors are located in all major industrial areas of the world.