



MDS Junior Style Industrial Housings

Junior Style Industrial Housings for 2230- and 4463-Style Cartridges

Pall MDS filter housings are recommended for small flow applications involving filtration of liquids or gases. MDS series housings accommodate MC¹ or MD¹ 2230- and 4463-style cartridges, and PFS 4463-style cartridges with liquid flow rates up to 7.5 L/min (2 gal/min) and gas flows up to 100 Nm³/hour (60 scfm) @ 6.9 barg (100 psig).

Features

- High temperature rating based upon O-ring material selected
- High pressure rating
- Easy mounting and change-out
- Dimpled bowl to prevent accidental pressurization
- Electropolished stainless steel for ease of cleaning
- Internal surface finish $\leq 0.4 \mu\text{m Ra}$ (15 μ in Ra)
- External surface finish $\leq 0.8 \mu\text{m Ra}$ (32 μ in Ra)
- Manufacturing Quality System certified to ISO 9001 standards

Housing Specifications

Materials of Construction

Housing: 316L stainless steel

Design pressure and temperature

10.3 barg (150 psig) and full vacuum at 140°C (284°F)

Other Specifications

Number of elements around:	1
Number of elements high:	1
Cartridge style:	2230 / 4463
Legs and support:	None
Vent:	as selected
Drain:	as selected
Closure style:	Vee band clamp
ASME code:	No
Flow configuration:	Tee
Replaceable tube sheet:	No

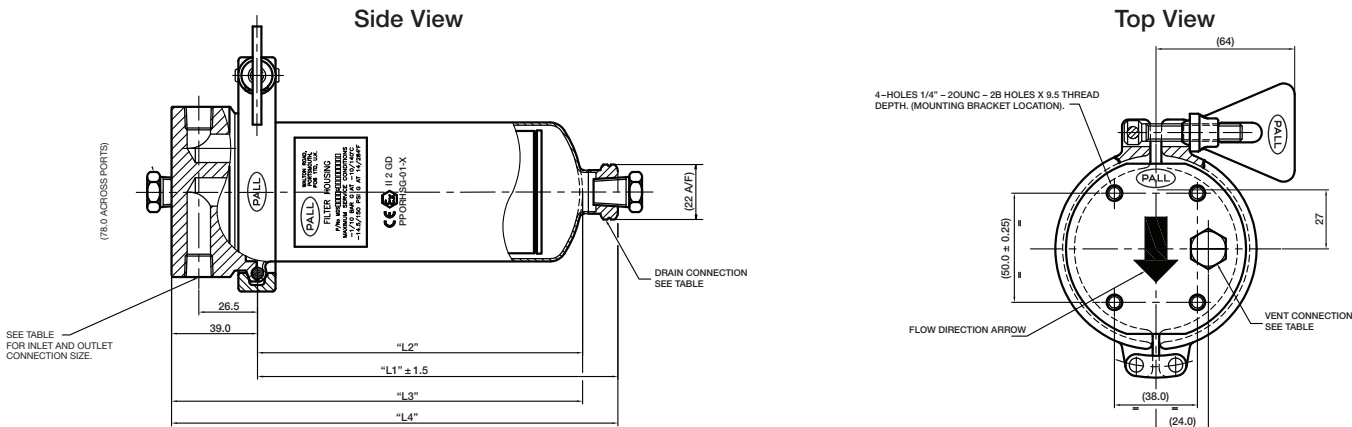
¹ Cartridge hardware: S = stainless; Y = Polypropylene



Dimensional Data (nominal)

Model	Dimensions mm (in)				Weight kg (lb)
	L1	L2	L3	L4	
2230	100 (3.94)	83.9 (3.30)	123.3 (4.85)	139 (5.47)	1.52 (3.35)
4463	165 (6.50)	148.9 (5.86)	188.3 (7.41)	204 (8.03)	1.65 (3.64)

Dimensional Drawings



Ordering Information

Pall Part Number = MDS 1 G 2 3 4 5 6 7

Table 1

Code	Cartridge style
2230	SOE 64 mm (2.5 in) length
4463	SOE 137 mm (5.4 in) length

Table 2

Code	Inlet and outlet connections
N4	1/4" NPT to ANSI B2.1
N8	1/2" NPT to ANSI B2.1

Table 3

Code	Flow direction
None	Normal flow direction (outside to in)
O	Reverse flow (for coalescing)

Table 4

Code	Head connections
F	1/4" NPT to ANSI B2.1
M	1/8" NPT to ANSI B2.1

Table 5

Code	Bowl connections
F	1/4" NPT to ANSI B2.1
M	1/8" NPT to ANSI B2.1

Table 6

Code	Cleaning options
C9	Cleaning for O ₂ service
None	As manufactured

Table 7

Code	Seal options ²
H4	Silicone (standard)
H1	FEP encapsulated fluorocarbon
H	Fluorocarbon (FDA approved)
J	Ethylene propylene

² Please contact Pall Corporation to verify that the product conforms to your national legislation and/or regional regulatory requirements for water and food contact use.



Pall Corporation

25 Harbor Park Drive
Port Washington, NY 11050
+1 516 484 3600 telephone
+1 800 289 7255 toll free US

Portsmouth - UK
+44 (0)23 9233 8000 telephone
+44 (0)23 9233 8811 fax
industrialeu@pall.com

Filtration. Separation. Solution.SM



Visit us on the Web at www.pall.com

Pall Corporation has offices and plants throughout the world. For Pall representatives in your area, please go to www.pall.com/contact

Because of technological developments related to the products, systems, and/or services described herein, the data and procedures are subject to change without notice. Please consult your Pall representative or visit www.pall.com to verify that this information remains valid.

© Copyright 2013, 2014 Pall Corporation. Pall and are trademarks of Pall Corporation. ® indicates a trademark registered in the USA. **BETTER LIVES. BETTER PLANET.** and **Filtration. Separation. Solution.SM** are service marks of Pall Corporation.

PIMDSENA

Produced in the USA

September 2014