

The Imperium Platform is the next generation of microfiltration technology for Food & Beverage producers who truly value the importance of product quality, process optimization and continuous improvement.

The product is specifically designed to house Imperium Filter Cartridges in high flow liquid filtration applications, where optimal fluid quality through hygienic design is required.

The modular Imperium housing configuration allows parallel or duplex operation. This brings complete process flexibility and the potential for continuous operation during cleaning, sanitization, maintenance or troubleshooting. It is suitable for a wide range of process flow rates and its design enables simple, low cost future expansion, as your capacity increases in line with your success.



Features	Benefits
Exclusively designed for Imperium filter cartridges	<ul style="list-style-type: none"> Optimal performance through the use of Imperium Filter Cartridges
Replace up to 6 x 30" standard filter cartridges with just 1 x Imperium filter	<ul style="list-style-type: none"> Improved operating costs, increased robustness and ease of use
Patent pending Tri-Cam filter-housing interface	<ul style="list-style-type: none"> Filter change-out installation is simple, error proof and 2.8 x quicker than standard cartridges and housings
Housing certified to 3-A 10-04	<ul style="list-style-type: none"> Fluid quality, full drainability and reduced risk of contamination through hygienic design
316L stainless steel wetted parts construction, electropolished with high quality welds	<ul style="list-style-type: none"> Corrosion resistance, durability and full cleanability
Modular, parallel housing configuration	<ul style="list-style-type: none"> <i>In situ</i> identification of integrity failures, reduced downtime and the potential to continually expand capacity
ASME VIII Div 1 approved V-Band Housing Clamp	<ul style="list-style-type: none"> Ease of a V-Band combined with the assurance of ASME certification
Equipped with standard accessories	<ul style="list-style-type: none"> Quick and simple integration into your process

Imperium™ Filter Housing

Compatible with Imperium Filter Cartridges

A Fresh Approach to Microfiltration



Housing Specifications

Operating Pressure	Up to 10 barg (150 psig)
Operating Temperature	Up to 150 °C (300 °F)
Steam Sterilization	Up to 135 °C (275 °F)
Materials of Construction	Wetted parts 316L stainless steel
Housing Seal	EPR
Surface Finish	≤ 0.4 µm Ra (≤ 16 µin Ra)
Connections	Clamp Coupling (DIN32676) – supplied as standard Options: Threaded Adaptor (DIN32676 clamp coupling to DIN 11864 threaded) Butt Weld (OEM Housing only)
Design Code	ASME VIII Div 1
Design Conformity	PED 2014/68/EU Cat II. Module D1, ATEX 94/9/EC Group II Category 2
Filter Cartridge Compatibility	Imperium Filter Cartridges

Please contact Pall to ensure the products meet specific National Legislation and/or Regional Regulatory requirements for food contact use. Maximum operating pressure ratings are vessel ratings only. Safe operating temperature and pressure will depend on filter cartridge and seal used. For compatibility details, please contact Pall. For applications involving fluids below 0 °C (32 °F), please contact Pall. Check local pressure vessel code requirements. Refer to Pall Food and Beverage Imperium Filter Housing and Filter Cartridge literature for additional guidelines on use.

Documentation

- Certificate of Conformity to Quality Standards
- Final Inspection Certificate
- Instructions for Use



Standard Accessories

Imperium housings are supplied with standard accessories, which include inlet and outlet butterfly valves, upstream and downstream hosedrain drains, upstream and downstream pressure gauges, an upstream Stäubli connection and adjustable legs.



Standard accessories are not provided with the OEM Housing.

Configurations

Imperium installations can be used to meet a range of process flow rates. For multi-size installations, optional manifolds can be provided, allowing in between 1 and 8 housings to be installed in parallel as standard.

Ordering Information

This is a guide to the part numbering structure only. For specific options, please contact Pall. All connections are clamp coupling unless stated. Adaptors for alternative connection types are available.

Housings

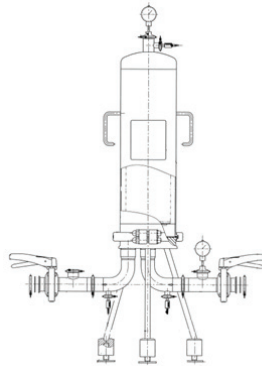
Part Number: **IMPH** **J**
Table 1 Table 2

Table 1: Housing Type

Code	Description
SA	Standard accessories
OEM	No accessories, but weld connections

Table 2: Elbow Style

Code	Description
F	Fixed
R	Rotating



Manifolds

Part Number: **IMPM** **H**
Table 1 Table 2

Table 1: Number of Housings Connected

Code	Description
2	2 housings
3	3 housings
4	4 housings
6	6 housings
8	8 housings

Table 2: Manifold Arrangement and ID

Code	Description
2	Single Bank 2"
3	Single Bank 3"
2-2	Double Bank 2"
3-3	Double Bank 3"



Pipework Connections

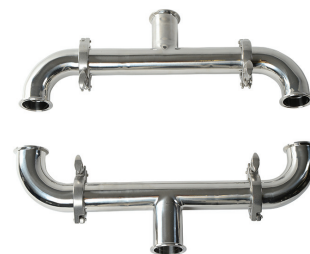
Part Number: **IMPM**
Table 1 Table 2

Table 1: Style

Code	Description
S	S Pieces
Y	Y Pieces
YX	YX Piece (for 2 size installation only)

Table 2: ID

Code	Description
2	2"
3	3"
2-2	2" to 2 x 2"
3-2	3" to 2 x 2"
3-3	3" to 2 x 3"
4-3	4" to 2 x 3"



Connection Adaptors

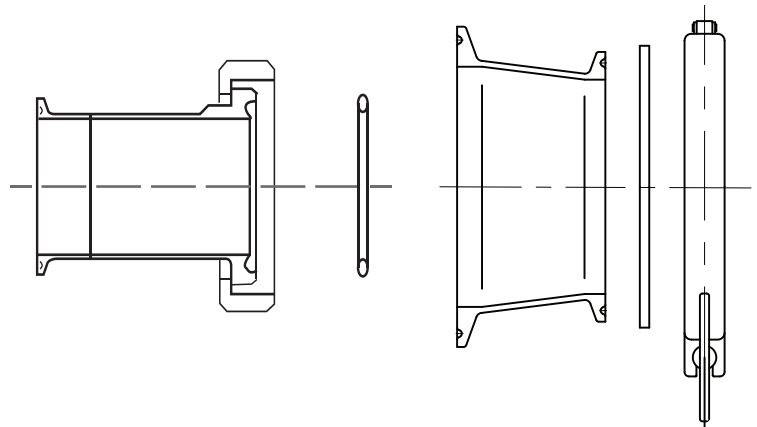
Part Number: IMPMCC
Table 1 Table 2

Table 1: Connection ID

Code	Description
2	2"
3	3"
4	4"

Table 2: Connection Type

Code	Description
DIN	Threaded
IDF	IDF Ferule



Extension Kits

Imperium Filter installations allow simple, low cost expansion, utilizing existing hardware. For guidance and ordering information on how to expand your Imperium Filter installation, please contact your local Pall representative.



Pall Corporation

Pall Food and Beverage

New York – USA
 +1 516 484 3600 telephone
 +1 866 905 7255 toll free

foodandbeverage@pall.com

Filtration. Separation. Solution.SM

Visit us on the Web at www.pall.com/foodandbev

Pall Corporation has offices and plants throughout the world. For Pall representatives in your area, please go to www.pall.com/contact

Please contact Pall Corporation to verify that the product conforms to your national legislation and/or regional regulatory requirements for water and food contact use.

Because of technological developments related to the products, systems, and/or services described herein, the data and procedures are subject to change without notice. Please consult your Pall representative or visit www.pall.com to verify that this information remains valid.

© Copyright 2016, Pall Corporation. Pall, , and Imperium are trademarks of Pall Corporation. ® Indicates a trademark registered in the USA. *Filtration. Separation. Solution.SM* is a service mark of Pall Corporation.