

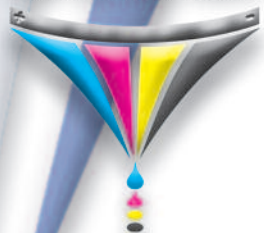


Pall Corporation

Low Volume Test Filter Housing



Pall Ink Jet Team





Optimized test filter housing for the ink jet R&D laboratory

The Pall® Low Volume Test Filter Housing from the M01SS range has been specifically developed to meet the requirements of the ink jet R&D laboratory. The system offers a cost-effective solution for all process optimizations such as ink formulation prior to complete scale-up.

Description and Key Features

- Single cartridge housing accepts **Pall** double open end test filters
- Robust, all stainless steel construction
- Accepts **Pall** test filters with 1"-2" (2.5 – 5.1cm) nominal length
- Inlet, outlet and vent ports conveniently located on housing top
- Low hold-up volume for minimal fluid loss
- Heavy duty v-band clamp features a quick opening t-handle
- Self-supporting on flat surface with no stand or bracket required
- Electropolished finish for easy clean-up

Technical Information

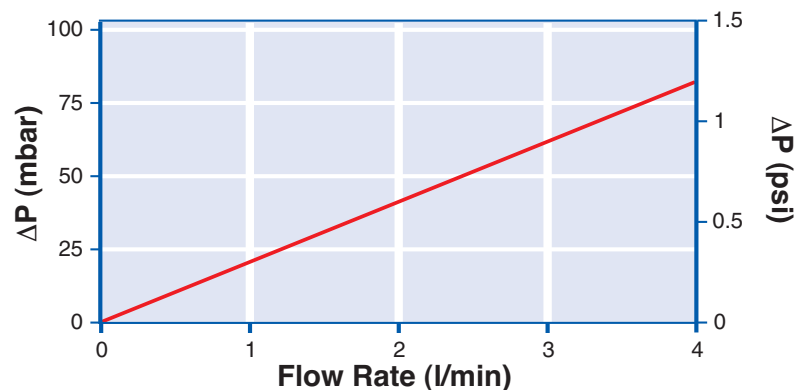
Materials of Construction

Housing	Head / Bowl:	304 stainless steel
	Seal:	EPR (metric size G90)
Connections	Inlet/Outlet/Vent:	¼" NPT

Operating Conditions ⁽¹⁾	Design Ratings:	71 psig / 4.9 barg @ 104°F / 40°C
-------------------------------------	-----------------	-----------------------------------

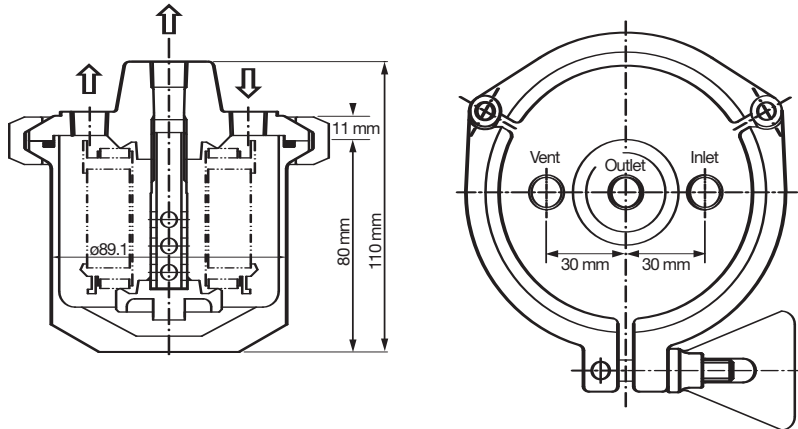
⁽¹⁾ Fluids that do not soften, swell or adversely affect the filter or materials of construction

Typical Liquid Flow Rate versus Differential Pressure





Dimensional Drawing



Ordering Information

(This is a guide to the part numbering structure only. For availability of specific options, please contact Pall)

Filter Housing Part Number: M01SS-01GN4JV-BE

Laboratory Test Filter Options

Filter Family	Removal Rating	Test Filter Part Number
Pall Profile® II	0.3µm	5EC4888-389-003J
	0.5µm	5EC4888-389-005J
	1µm	5EC4888-389-010J
	3µm	5EC4888-389-030J
	5µm	5EC4888-389-050J
Pall Nexis® A	0.5µm	NXA 0.5-TFU-DOEE 047
	1µm	NXA 1-TFU-DOEE 047
	3µm	NXA 3-TFU-DOEE 047
	5µm	NXA 5-TFU-DOEE 047
	10µm	NXA 10-TFU-DOEE 047
Pall Water-Fine	0.1µm	WFN 0.1-TFUE 147
	0.2µm	WFN 0.2-TFUE 147
	0.45µm	WFN 0.45-TFUE 147
Pall Ultipor® N66	0.2µm	PUY01NAEYJ
Pall Profile Star	1µm	H1A1A0101J
	1.5µm	H1A1A0151J
	3µm	H1A1A0301J
	5µm	H1A1A0501J
Pall Poly-Fine® XLD	1.5µm	XLD 1.5-TFUE 147
	3µm	XLD 3-TFUE 147
	4.5µm	XLD 4.5-TFUE 147
	10µm	XLD 10-TFUE 147
Pall Ultipor GF Plus®	0.1µm	PUY01ZU001ZJ
	0.45µm	PUY01ZU0045J
	1µm	PUY01ZU010ZJ
	2µm	PUY01ZU220ZJ
	3µm	PUY01ZU030ZJ
	6µm	PUY01ZU640ZJ
	10µm	PUY01ZU100ZJ



Pall Microelectronics

New York - USA

800.360.7255 toll free
+1 516 484 5400 telephone
+1 516 625 3610 fax

Portsmouth - UK

+44 (0)23 9230 2336 telephone
+44 (0)23 9230 2509 fax
processuk@pall.com

St-Germain-en-Laye - France

+33 1 30 61 39 97 telephone
+33 1 30 61 39 90 fax
pallfr.pg.cde@pall.com

Shanghai - China

+86.21.6237.1988 telephone
+86.21.6237.2088 fax

Dreieich - Germany

+49 (0)6103 307 0 telephone
+49 (0)6103 307 552 fax
pugde@europe.pall.com

Tokyo - Japan

+81.3.6901.5710 telephone
+81.3.5322.2109 fax

Milan - Italy

+39 02 477961 telephone
+39 02 4122985 fax

Seoul - Korea

+82.2.560.7858 telephone
+82.2.560.7890 fax



Pall Corporation

Pall Microelectronics

New York - USA

800.360.7255 toll free
+1 516 484 5400 telephone
+1 516 625 3610 fax

Portsmouth - UK

+44 (0)23 9230 2336 telephone
+44 (0)23 9230 2509 fax
processuk@pall.com

Visit us on the web at www.pall.com

Pall Corporation has offices and plants throughout the world in locations including: Argentina, Australia, Austria, Belgium, Brazil, Canada, China, France, Germany, India, Indonesia, Ireland, Italy, Japan, Korea, Malaysia, Mexico, the Netherlands, New Zealand, Norway, Poland, Puerto Rico, Russia, Singapore, South Africa, Spain, Sweden, Switzerland, Taiwan, Thailand, United Kingdom, United States, and Venezuela. Distributors are located in all major industrial areas of the world.

Because of developments in technology these data or procedures may be subject to change. Consequently we advise users to review their continuing validity annually. Part numbers quoted above are protected by the Copyright of Pall Europe Limited.

PALL, Pall, Nexis, Poly-fine, Profile, Ultipor and Ultipor GF Plus are trade marks of Pall Corporation.

Part numbers quoted above are protected by the Copyright of Pall Europe Ltd.

® indicates a Pall trade mark registered in the USA.

Filtration. Separation. Solution is a service mark of Pall Corporation.

©2006, Pall Europe Limited.