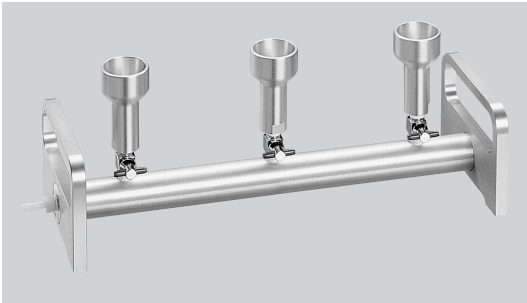




Aluminum Filter Funnel Manifolds



- Accommodates either 25 or 47 mm filter funnels.
- Less expensive than stainless steel.
- Large port openings make sanitizing easy.
- Independent operation; each funnel location has individual port control valves.

Ordering Information

Part Number	Description	Pkg
15402	3-place aluminum filter funnel manifold	1/pkg
15403	6-place aluminum filter funnel manifold	1/pkg

Specifications

Materials of Construction

Body: Anodized aluminum

Drain Plugs: Stainless Steel, 1/4 in. MNPT

Port Control Valves: chrome-plated brass

Valve O-rings: Viton*

Hose Barb Adapter: Nylon 6.4 mm (1/4 in.) MNPT to 9.5 mm (3/8 in.) hose barb

Dimensions

3-place

Height: 15.7 cm (6.2 in.)

Width: 41 cm (16 in.)

Depth: 15 cm (6 in.)

6-place

Height: 15.7 cm (6.2 in.)

Width: 82.5 cm (32.5 in.)

Depth: 15 cm (6 in.)

Connection

9.5 mm (3/8 in.) hose barb to vacuum source

Sterilization

Provided non-sterile. Autoclavable if desired at 121-123 °C (250-253 °F) at approximately 1.0 bar (100 kPa, 15 psi) for 15-20 minutes.

Sanitization Instructions

Flush the manifold ports with 70% alcohol or other approved disinfectant.

Instructions for Use

Note: prior to using the 3-place or 6-place manifold, wrap threads of the hose barb adaptor with the provided tape and connect to the open threaded end.

1. If using MicroFunnel® filter funnels, press directly onto manifold or use a No. 8 stopper and adapter (PN 4701) combination. For other hardware funnels, use a No. 8 stopper.
2. The valve is on when the bar is in the vertical position.
3. The valve is off when the bar is in the horizontal position.
4. When initiating filtration, fill funnel, turn on vacuum source, then turn on the valve.
5. When concluding filtration, turn off valve, then turn off vacuum pump.
6. Easy sanitizing is accomplished by infusing 70% alcohol or other approved disinfectant through each vacuum port.
7. It is recommended that the manifold be wiped down and ports infused with deionized water after each use, especially with routine use of acidic solutions. For additional information on chemical compatibility of aluminum, please visit our website at www.pall.com/lab.

Replacement Parts

Part Number	Description	Pkg
15415	Check valve for 3- and 6-place manifolds	3/pkg
96429	Funnel holder	1/pkg
96430	End stand	1/pkg
99130	Valve, 2-way	1/pkg
99132	Hose barb adapter, nylon, 1/4 in. MNPT to 9.5 mm (3/8 in.) ID tubing	1/pkg
99238	Stainless steel end plug	1/pkg
82728	No. 8 rubber stopper	1/pkg
88160	O-ring replacement kit (3 size -060, 6 size -010)	1/kit

WARNING

Employment of the products in applications not specified, or failure to follow all instructions contained in this product information insert, may result in improper functioning of the product, personal injury, or damage to property or the product. See Statement of Warranty in our most recent catalog.

ATTENTION

L'utilisation de nos produits dans des applications pour lesquelles ils ne sont pas spécifiés ou le non-respect du mode d'emploi qui figure sur ce document, peut entraîner un dysfonctionnement du produit, endommager le produit ou d'autres biens matériels ou représenter un risque pour l'utilisateur. Se référer à la clause de garantie de notre catalogue le plus récent.

ACHTUNG

Der Einsatz dieses Produktes in Anwendungen für die es nicht spezifiziert ist, oder das Nichtbeachten einiger, in dieser Bedienungsanleitung gegebenen Hinweise kann zu einem schlechteren Ergebnis, oder Zerstörung des Produktes oder anderer Dinge oder gar zu Verletzungen führen. Beachten Sie auch unsere Garantiebedingungen im aktuellen Katalog.

ADVERTENCIA

El uso de este producto en aplicaciones no especificadas o el no considerar las instrucciones indicadas en la hoja de información del producto puede ocasionar un mal funcionamiento del producto, daños en las instalaciones o en el producto y riesgo para el personal del laboratorio. Consulte el apartado de Garantía en nuestro último catálogo.

ATTENZIONE

L'impiego dei prodotti in applicazioni non specificate, o il mancato rispetto di tutte le istruzioni contenute nel presente bollettino tecnico, potrebbero portare ad un utilizzo improprio del prodotto, ferire gli operatori, o danneggiare le caratteristiche del prodotto stesso. Consultare la dichiarazione di garanzia pubblicata nel nostro più recente catalogo.

警告

当製品情報に記載されていないアプリケーションにおいて製品を使用した場合、あるいは当製品情報に記載されている使用方法に従わない場合は、製品の機能上の不具合、人体への危害、あるいはお客様の財産や製品への損害をまねく恐れがあります。必ず、最新のカatalogに記載してある保証約款をご覧ください。

Pall Life Sciences

600 South Wagner Road
Ann Arbor, MI 48103-9019 USA

800-521-1520 USA and Canada
(+800) PALL LIFE Outside USA and Canada
734-665-0651 phone
734-913-6114 fax

Visit us on the Web at www.pall.com/lab

E-mail us at LabCustomerSupport@pall.com

Australia, Cheltenham, VIC, 03 9584 8100

Austria, Wien, 00 1 49 192 0

Canada, Ontario, 905-542-0330

Canada, Québec, 514-332-7255

China, P.R., Beijing, 86-10-6780 2288

France, St. Germain-en-Laye, 01 30 61 32 32

Germany, Dreieich, 06103-307 333

India, Mumbai, 91 (0) 22 67995555

Italy, Buccinasco, +3902488870.1

Japan, Tokyo, 03-6901-5800

Korea, Seoul, 82-2-560-8711

Malaysia, Selangor, +60 3 5569 4892

Poland, Warszawa, 22 510 2100

Russia, Moscow, 5 01 787 76 14

Singapore, 65 6 389-6500

South Africa, Johannesburg, +27-11-2662300

Spain, Madrid, 91-657-9876

Sweden, Lund, (0)46 158400

Switzerland, Basel, 061-638 39 00

Taiwan, Taipei, 886 2 2545 5991

Thailand, Bangkok, 66 2937 1055

United Kingdom, Farlington, 02392 302600