



2050/2060/2070 Series High Pressure Filter Assemblies

Features

- Ultipor® III or Rigimesh® stainless steel media
- Flows to 75 lpm (20 gpm)
- Pressures:
 - 2050 Series: 690 bar (10,000 psi)
 - 2060 Series: 1034 bar (15,000 psi)
 - 2070 Series: 1379 bar (20,000 psi)
- Port sizes: 3/8", to 3/4"

Notes and Specifications

Maximum Working Pressure:

- 2050 series: 690 bar (10,000 psi)
- 2060 series: 1000 bar (14,500 psi)
- 2070 series: 1379 bar (20,000 psi)

Proof Pressure:

- 2050 series: 1034 bar (15,000 psi)
- 2060 series: 1500 bar (21,750 psi)
- 2070 series: 2068 bar (30,000 psi)

Typical Burst Pressure:

- 2050 series: 2758 bar (40,000 psi)
- 2060 series: 3490 bar (50,750 psi)
- 2070 series: 5516 bar (80,000 psi)

Temperature Range:

- Nitrile seals: -43°C to 107°C (-45°F to 225°F)
- Fluorocarbon Seals: -29°C to 120°C (-20°F to 250°F)
- 60°C (140°F) maximum in HWCF or water glycol fluids with Ultipor III media

Filter Element

Collapse Pressure:

- 9020 series: 20 bar (290 psid);
- 9021 series: 207 bar (3000 psid);
- 310 bar (4500 psid) with Rigimesh all stainless steel media (NK or NJ options)

Materials of Construction:

- Stainless steel; titanium bowl (2070/71)

Element Construction:

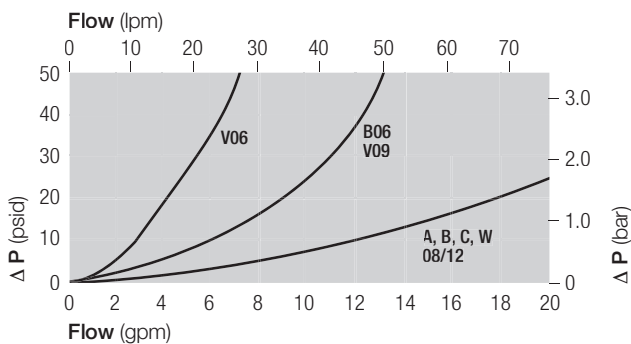
- Ultipor III: Inorganic fibers impregnated and bonded with epoxy resins; stainless steel hardware.
- Rigimesh: All stainless steel (no resin binders)

Pressure Drop Information

Figure 1. Housing pressure drop using fluid with 0.9 S.G.

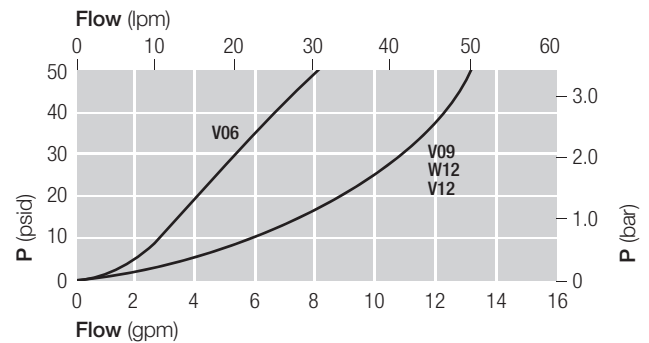
Housing pressure drop is directly proportional to specific gravity.

2050/2060 Series



2050, 2060, and 2070 series filter housings

2070 Series



Element Pressure Drop

Multiply actual flow rate times factor to determine pressure drop with fluid at 32 cSt (150 SUS), 0.9 S.G. Correct for other fluids by multiplying new viscosity in cSt/32 (SUS/150) x new S.G./0.9. Note: factors are per 1000 lpm and per 1 gpm.

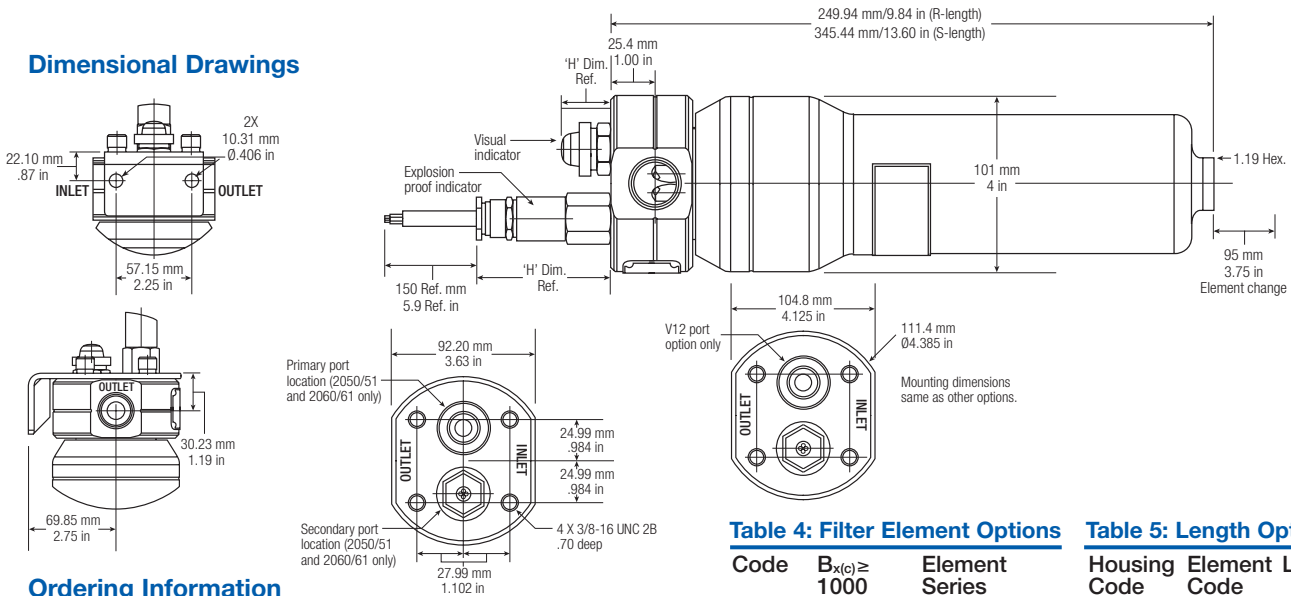
9020 Series Filter Elements — bar/1000 lpm (psid/gpm)

Length Code	KZ	KP	KN	KS	KT
4	34.61 (1.90)	14.94 (0.82)	9.84 (0.54)	6.38 (0.35)	3.83 (0.21)
8	17.49 (0.96)	7.47 (0.41)	4.92 (0.27)	3.28 (0.18)	2.00 (0.11)

9021 Series Filter Elements — bar/1000 lpm (psid/gpm)

Length Code	DP	DS/NK	DT/NJ
4	49.37 (2.71)	36.54 (0.53)	12.39 (0.68)
8	24.59 (1.35)	17.24 (0.25)	6.19 (0.34)

Dimensional Drawings



Ordering Information

Assembly P/N:

H	20							T
Table 1	Table 2	Table 3	Table 4	Table 5	Table 6	Table 7	Table 8	

Ultipor Element P/N:

HC	F			Y923
Table 2	Table 4	Table 5	Table 1	

Rigimesh Element P/N:

HC	9021 E		
Table 4	Table 5	Table 1	

Table 1: Seal Options

Code	Seals
H	Nitrile
Z	Fluorocarbon

Table 4: Filter Element Options

Code	B _{x(c)} ≥ 1000	Element Series
KZ	3	9020 (Ultipor III)
KP	5	9020 (Ultipor III)
KN	7	9020 (Ultipor III)
KS	12	9020 (Ultipor III)
KT	22	9020 (Ultipor III)
DP	5	9021 (Ultipor III)
DS	12	9021 (Ultipor III)
DT	15	9021 (Ultipor III)
NK	5 µm*	9021 (Rigimesh)
NJ	10 µm*	9021 (Rigimesh)

Table 5: Length Options

Housing Code	Element Code	Element Length (in)*
R	4	4
S	8	8

* Nominal length

Table 2: Series Options

Housing Code	Description	Element Code
50	690 bar (10,000 psi) housing with 50 psi bypass valve	9020
60	1000 bar (14,500 psi) housing with 50 psi bypass valve	9020
70	1379 bar (20,000 psi) housing with 50 psi bypass valve	9020
51	690 bar (10,000 psi)	9021
61	1034 bar (15,000 psi)	9021
71	1379 bar (20,000 psi)	9021

Table 3: Port Options

Code	Port	Series
A08	1/2" SAE J514 straight thread	2050/51, 2060/61
A12	3/4" SAE J514 straight thread	2050/51
B06	3/8" NPT	2050/51, 2060/61
B08	1/2" NPT	2050/51, 2060/61
B12	3/4" NPT	2050/51
C08	1/2" BSP ISO 228 threads	2050/51, 2060/61
C12	3/4" BSP ISO 228 threads	2050/51
V06	3/8" medium pressure threaded	2050/51, 2060/61, 2070
V09	3/16" medium pressure threaded	2050/51, 2060/61, 2070
V12	3/4" medium pressure threaded	2050/51, 2060/61, 2070
W12	3/4" weld sockets	2050/51

* 98% efficiency

Table 6: Bypass Valve Options

Code	Valve	Housing Series
B	3.4 bar (50 psid)	2050, 2060, 2070
J	10 bar (150 psid)	2051, 2061, 2071
S	13.8 bar (200 psid)	2051, 2061, 2071
W	Non-bypass, 100 psid indicator	2051, 2061, 2071*
N	Non-bypass, 35 psid indicator	2051, 2061, 2071*

* Note: 2071 series does not have indicator ports

Table 7: Differential Pressure Indicator Options*

Code	Indicator	'H' Dim.
W	Explosion proof	79 mm (3.1 in)
E	SST visual	28 mm (1.1 in)
O	No indicator port	N/A
B	SST port plug	3 mm (0.12 in)

*Notes:

1. Select 2 indicator option codes per housing
2. Enter indicator codes alphabetically; put "0" code after alpha code if applicable
3. 2070/71 series does not have indicator ports; enter "00" in part number

Table 8: Mounting Bracket Options

Code	Option
0	None
1	Mounting bracket kit



New York – USA

+1 516 484 3600 telephone
+1 888 333 7255 toll free
+1 516 625 3825 fax

Portsmouth – UK

+44 (0)23 9230 3303 telephone
+44 (0)23 9230 2507 fax
m&e_sales@pall.com

Visit us on the Web at www.pall.com/m&e