



## MEGA<sup>+</sup> 21 High Flow Series Filter Housings

### Electropolished 316L Stainless Steel, Accepts Twenty-one 20" (50.8 cm), 30" (76.2 cm), or 40" (102 cm) Cartridges

- Multi-Cartridge, High Flow Vessel
- Inlet and Outlet Connections Aligned in T-Style for Ease of Installation
- Davit Closure For Easy Maintenance
- Electropolished 316L Stainless Steel Materials of Construction for Maximum Corrosion Resistance
- Operating Pressure to 150 PSIG (10.3 BAR) @ 200°F (93°C)
- 150 lb., 4" ANSI Raised Face Flanges
- Universal Seat Cup Accepts DOE or SOE Cartridges

### Housing Specifications

#### Maximum Operating Pressure:

150 psig (10.3 bar) @ 200°F (93°C)

**NOTE:** Maximum operating pressure ratings are vessel ratings only. Safe operating temperature and pressure will depend on filter cartridge and gasket/O-ring used. For inquiries on compatibility, contact the factory or your Pall distributor.

#### Construction:

Head & Shell:	316L Stainless Steel
Vent Plug:	316L Stainless Steel
Drain Plug:	316L Stainless Steel
Seat Cups:	316L Stainless Steel

#### Connections:

Inlet/Outlet:	150 lb., 4" ANSI raised face flanges
Optional:	150 lb., 3" ANSI raised face flanges
Drain/Vent:	½" NPT

**Shell O-rings:** Ethylene Propylene, Viton<sup>1</sup> A, Silicone Elastomer

**Closure:** Davit Closure

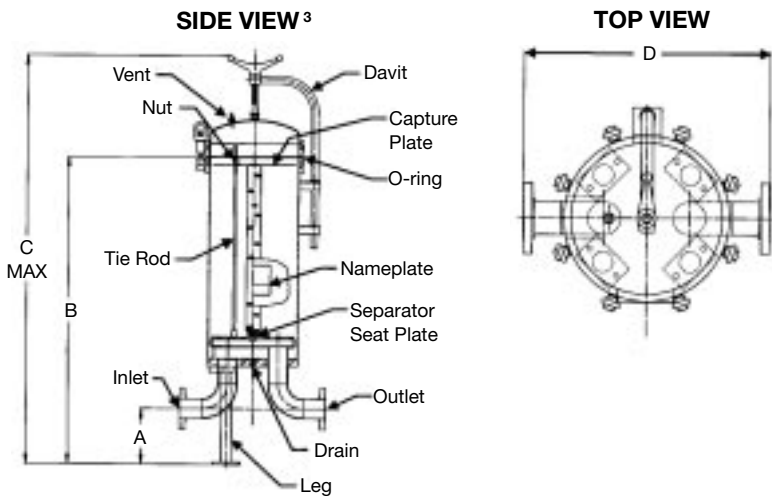


<sup>1</sup> - Registered trademark of DuPont Dow.

## Dimensional Data (nominal)

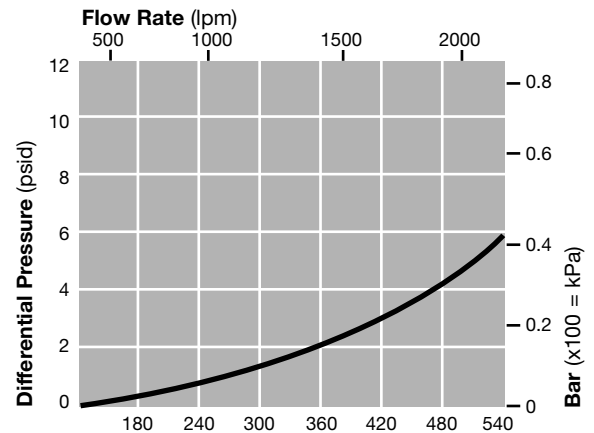
Model	Liquid <sup>2</sup> Flow Rates (gpm)	Dimensions (inches)				Maximum Cartridge Diameter (inches)	Weight (pounds)	Minimum Clearance (inches)
		A	B	C	D			
42MEGA <sup>+</sup> 2-4F	to 420 (1590 lpm)	10 (25.4 cm)	44 7/8 (114 cm)	64 (163 cm)	26 (66 cm)	2 3/4 (7 cm)	500 (227 kg)	21 (53.3 cm)
63MEGA <sup>+</sup> 3-4F	to 500 (1893 lpm)	10 (25.4 cm)	55 1/4 (140.3 cm)	75 (190.5 cm)	26 (66 cm)	2 3/4 (7 cm)	515 (234 kg)	31 (78.7 cm)
84MEGA <sup>+</sup> 4-4F	to 500 (1893 lpm)	10 (25.4 cm)	65 3/4 (167 cm)	89 (226 cm)	26 (66 cm)	2 3/4 (7 cm)	535 (243 kg)	41 (104.1 cm)

<sup>2</sup> - Dependent upon cartridge selection, fluid viscosity, and allowable pressure drop. See graph below for housing pressure drop at various flow rates. Refer to cartridge nomograph to determine initial pressure drop due to the filter cartridge. The 84MEGA<sup>+</sup> may be used to provide longer cartridge life and lower initial pressure drop. A flow rate in excess of 500 gpm (1893 lpm) is not recommended with 4" connections.



<sup>3</sup> - Side view shows sealing arrangement for DOE style cartridges on left and M3 (Code 3) or M8 (Code 8) style cartridges (M8 shown) on right.

## Housing Differential Pressure vs. Liquid Flow Rate



Flow Rate (gpm), Water at 68°F (20°C)

For liquids other than water, multiply differential pressure by specific gravity.

## Part Numbers/Ordering Information

■ MEGA<sup>+</sup> ● - ◆ (e.g., 42MEGA<sup>+</sup>2-4F)

Code	No. of 10" Equivalents
42	42
63	63
84	84

Code	No. of 10" Equivalents Per Column
2	2
3	3
4	4

Code	Inlet/Outlet Connection Sizes
3F	3", ANSI raised face flanges
4F	4", ANSI raised face flanges



Pall Corporation

2200 Northern Boulevard.  
East Hills, New York 11548-1289

1.800.FILTERS toll free  
516.484.5400 phone  
516.484.3216 fax  
information@pall.com e-mail

Visit us on the Web at [www.pall.com](http://www.pall.com)

Pall Corporation has offices and plants throughout the world in locations including: Argentina, Australia, Austria, Belgium, Brazil, Canada, China, France, Germany, Hong Kong, India, Indonesia, Ireland, Italy, Japan, Korea, Malaysia, Mexico, the Netherlands, New Zealand, Norway, Poland, Puerto Rico, Russia, Singapore, South Africa, Spain, Sweden, Switzerland, Taiwan, Thailand, United Kingdom, United States, and Venezuela. Distributors are located in all major industrial areas of the world.