

Zefluor™ Elements (bottom-load) Design with GORE® Tube Filters

Description

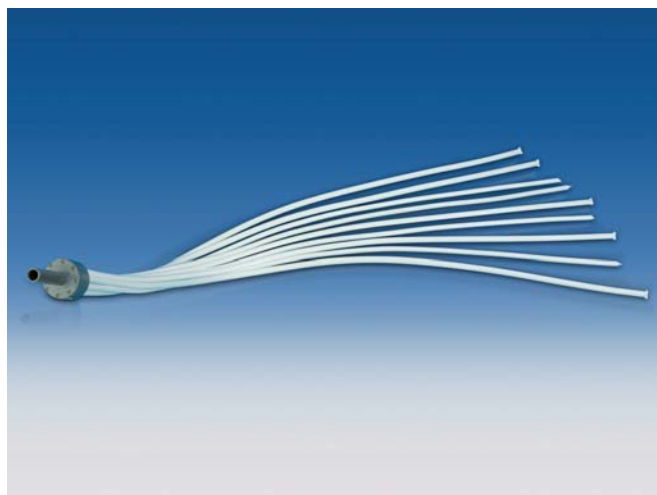
- 9 -17.6mm (0.69in) outside diameter GORE ePTFE tube filters mounted in head assembly
- Bottom-load CPVC head assembly design for tubular back-pulse Zefluor filters
- Outside-to-in flow traps the contaminant outside of the element
- EPDM porous hose used for internal tube support
- Typical tube length is 1905 mm (75.0 in)
- Effective filtration area of 0.95 m² (10.2 ft²)

Features and Benefits

- Increased filtration area – about 2.5x the filtration area for a given volume compared to the filter sock design (Zylon™)
- Use of smaller, less expensive vessels
- Fewer number of elements needed in existing vessels
- Smaller housing diameter
- Ease of installation – new filter tube consists of single piece filter media and support element, allowing quick change-outs and minimal downtime
- More durable – the Zefluor membrane is a thicker and more robust material than a membrane laminate

Applications

- **Chlor-Alkali market**
 - Brine filtration for removal of Ca, Mg, Al, Fe, and Hg precipitates in the primary treatment prior to electrolysis
- **Other liquid filtration processes**



Zefluor elements with GORE ePTFE tube filters mounted in a CPVC head assembly

Performance Specifications¹

Continuous Operating Temperature:	75 °C (167 °F)
Operating Pressure:	7-100 kPa (1-15 psi) (typical)
Back-pulse Pressure:	35 kPa (5 psi) (max.)
Retention Efficiency:	>99 % @ 0.5 micron (typical) per ASTM F 795 test
Acid/Alkali Resistance:	Yes
Free Chlorine Resistance:	Up to maximum 30 ppm permanent

¹ In fully compatible fluids which do not chemically attack, soften, swell, or adversely affect any of the components of construction.

Product Specifications

Materials of Construction

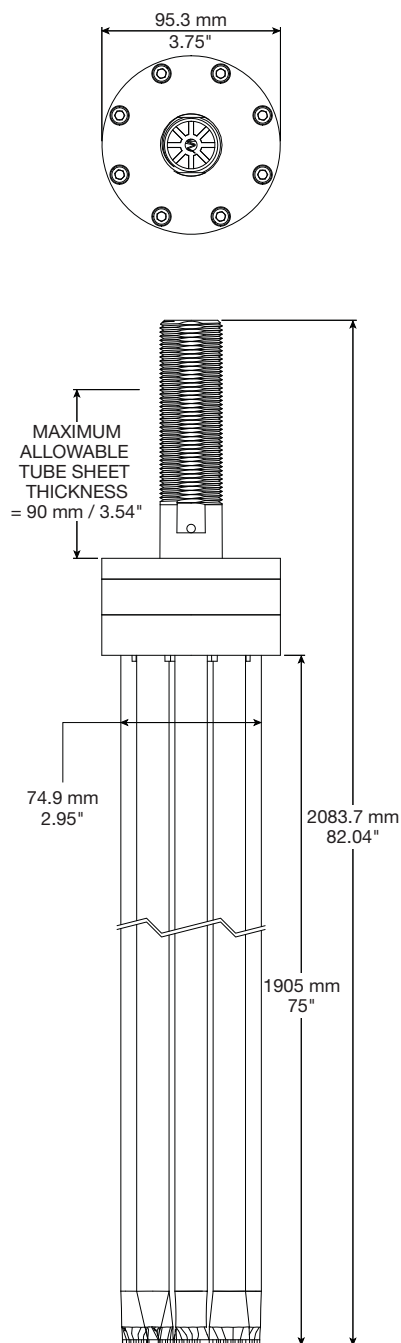
Tubing:	GORE expanded PolyTetraFluoroEthylene (ePTFE) membrane
Support material:	Ethylene-Propylene Diene Monomer (EPDM)
Head assembly:	Chlorinated Polyvinyl Chloride (CPVC)
Head assembly screws:	Titanium
Sealing gasket:	EPDM

Dimensions membrane tube (nominal):

Inner diameter:	16.5 mm (0.65 in)
Membrane thickness:	0.55 mm (0.02 in)



Dimensional Drawings



Fuels and Chemicals

25 Harbor Park Drive
Port Washington, NY 11050
+1 516 484 3600 telephone
+1 888 873 7255 toll free US

Portsmouth - UK
+44 (0) 23 9233 8000 telephone
+44 (0) 23 9233 8811 fax
industrialeu@pall.com

Filtration. Separation. Solution.SM



Visit us on the Web at www.pall.com

Pall Corporation has offices and plants throughout the world. For Pall representatives in your area, please go to www.pall.com/contact

Because of technological developments related to the products, systems, and/or services described herein, the data and procedures are subject to change without notice. Please consult your Pall representative or visit www.pall.com to verify that this information remains valid.

© Copyright 2007, 2013 Pall Corporation. Pall, (PALL), Zefluor and Zylon are trademarks of Pall Corporation. ♦GORE is a registered trademark of W. L. Gore & Associates. ® indicates a trademark registered in the USA. ENABLING A GREENER FUTURE and *Filtration. Separation. Solution.SM* are service marks of Pall Corporation.