

Fluoro-Plus™ PFA Series Filter Housings

High Purity PFA Single Cartridge Filter Housings

- High purity PFA materials of construction provide the broadest available chemical compatibility and strongest mechanical properties with low possible extractables
- Accepts one 10.2 cm (4 in) or 25.4 cm (10 in) 222 O-ring SOE style cartridge
- 3/4" NPT and butt weld inlet and outlet connections available
- Standard 1/4" NPT upstream and downstream gauge connections
- Use with fluoropolymer cartridge for an all-fluoropolymer filtration system

Product Specifications

Maximum operating pressure

4.5 bar (65 psig) @ 95°C (203°F)

5.2 bar (75 psig) @ 20°C (68°F)

NOTE: Maximum operating pressure ratings are vessel ratings only. Safe operating temperature and pressure will depend on the filter cartridge and gasket/O-ring used. For inquiries on compatibility, contact Pall or your local distributor.

Construction

Head and bowl:	High purity PFA
O-ring:	FEP encapsulated silicone
NPT plugs:	High purity PFA
Threaded head inserts:	PTFE coated 316 stainless steel
Adapter ¹ :	High purity PFA (10 inch model only)

Connections

Inlet/outlet:	3/4" (1.91 cm) NPT or butt weld
Vent & drain:	1/4" (0.64 cm) NPT

Cartridge configuration

10.2 cm (4 in):	M3 (Code 3), 222 O-rings, flat closed end
25.4 cm (10 in):	M8 (Code 8), 222 O-rings, flat closed end M3 (Code 3), 222 O-rings, flat closed end

1 - Use the supplied high purity PFA adapter with a 25.4 cm (10 in) M3 style cartridge



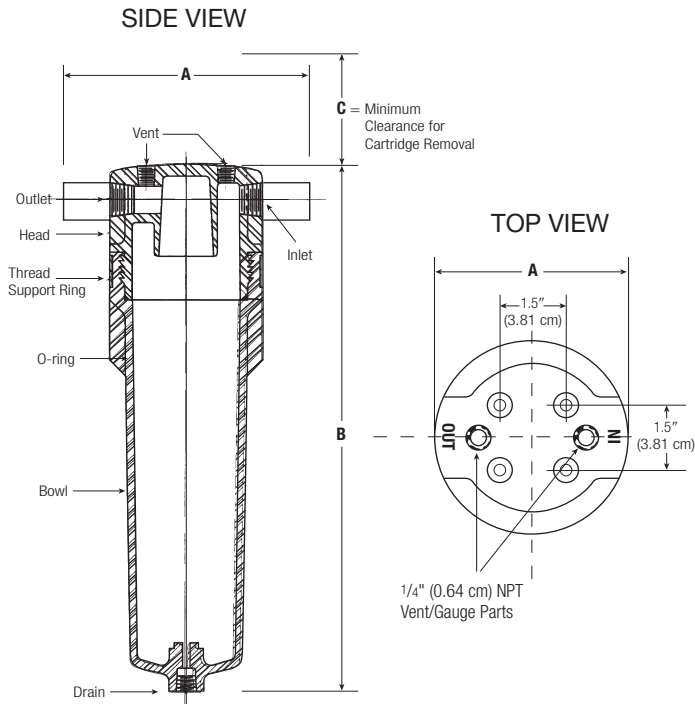
This housing is not recommended for compressed air or gas service. It is suitable for use with fully compatible* liquids only. This housing is not recommended for acid service at the pressure shown. Please contact Pall for detailed compatibility information.

* which do not soften, swell or adversely affect the product or its materials of construction.

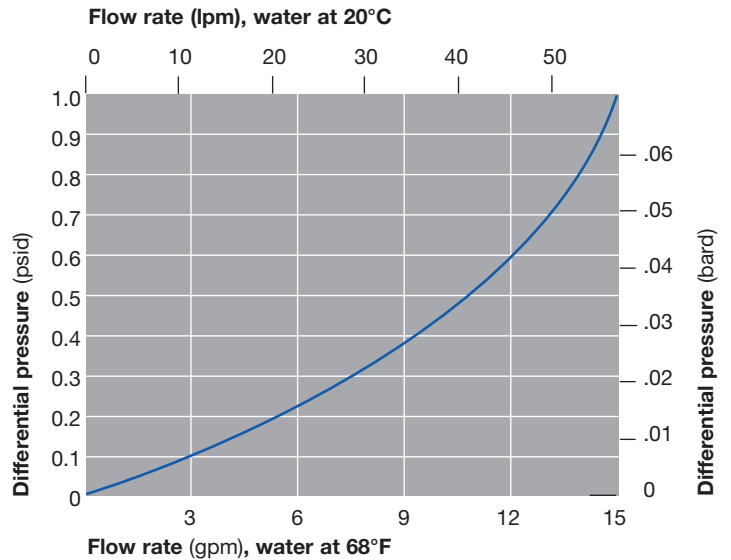
NOTE: Use of this product in a manner other than in accordance with Pall's current recommendations may lead to injury or loss. Pall cannot accept liability for such injury or loss.

Dimensional Data (nominal)

Model	Dimensions cm (in)		
	A	B	C
IDO4-PFA - 3/4	12.37 (4.87)	19.53 (7.69)	15.2 (6)
IDO4-PFA - 3/4 BW	19.4 (7 21/32)	19.53 (7.69)	15.2 (6)
IDO10-PFA - 3/4	12.37 (4.87)	40.49 (15.94)	33.0 (13)
IDO10-PFA - 3/4 BW	19.4 (7 21/32)	40.49 (15.94)	33.0 (13)



Housing Differential Pressure vs. Liquid Flow Rate



Unit conversion: 1 bar = 100KPa

Flow rate is for 25.4 cm (10 in) housing without filter cartridge. For liquids other than water, multiply the pressure drop by the specific gravity of the fluid.

Ordering Information

Pall Part Number = IDO 1 - PFA - 2

Table 1

Code	Cartridge Lengths (cm/in)
4	10.2/4 (M3 only)
10	25.4/10

Table 2

Code	Inlet/Outlet Connection Size
3/4	3/4" NPT
3/4BW	3/4" butt weld extensions



Pall Corporation

25 Harbor Park Drive
Port Washington, NY 11050
+1 516 484 3600 telephone
+1 800 289 7255 toll free US

Portsmouth - UK
+44 (0)23 9230 3303 telephone
+44 (0)23 9230 2507 fax
processuk@pall.com

Filtration. Separation. Solution.SM

Visit us on the Web at www.pall.com

Pall Corporation has offices and plants throughout the world. For Pall representatives in your area, please go to www.pall.com/contact

Please contact Pall Corporation to verify that the product conforms to your national legislation and/or regional regulatory requirements for water and food contact use.

Because of technological developments related to the products, systems, and/or services described herein, the data and procedures are subject to change without notice. Please consult your Pall representative or visit www.pall.com to verify that this information remains valid.

© Copyright 2004, 2010, Pall Corporation. Pall and are trademarks of Pall Corporation. ® indicates a trademark registered in the USA. Filtration. Separation. Solution.SM is a service mark of Pall Corporation.

834-6C

Produced in the USA

January 2011