

Fluoro-Plus™ PVDF Series Filter Housings

High Performance PVDF Single Cartridge Filter Housings

- Polyvinylidene fluoride (PVDF) materials of construction provide excellent chemical compatibility and strong mechanical properties with the lowest possible extractables
- Accepts one 10.2 cm (4 in), 25.4 cm (10 in) or 30.5 cm (12 in) 222 O-ring SOE style filter cartridge
- 3/4" NPT, 25 mm or 32 mm butt weld inlet/outlet connections available
- Stainless steel mounting bracket available
- Standard upstream and downstream gauge connections

Housing Specifications

Maximum operating pressure

7.6 bar (110 psig) @ 95°C (203°F)

10.3 bar (150 psig) @ 20°C (68°F)

NOTE: Maximum operating pressure ratings are vessel ratings only. Safe operating temperature and pressure will depend on filter cartridge and gasket/O-ring used. For inquiries on compatibility, contact Pall or your Pall distributor.

Construction

Head and bowl:	Polyvinylidene fluoride (PVDF)
O-ring:	Fluorocarbon elastomer
Threaded head inserts:	PTFE coated 316 stainless steel
Optional mounting bracket:	Stainless steel
NPT plugs:	PFA

Connections

Inlet/outlet:	3/4" NPT (standard) 25 mm butt weld 32 mm butt weld
Vent and drain:	1/4" NPT

Cartridge configurations

10.2 cm (4 in):	M3 (Code 3), 222 O-rings, flat closed end
25.4 cm (10 in) or 30.5 cm (12 in):	M8 (Code 8), 222 O-rings, fin closed end



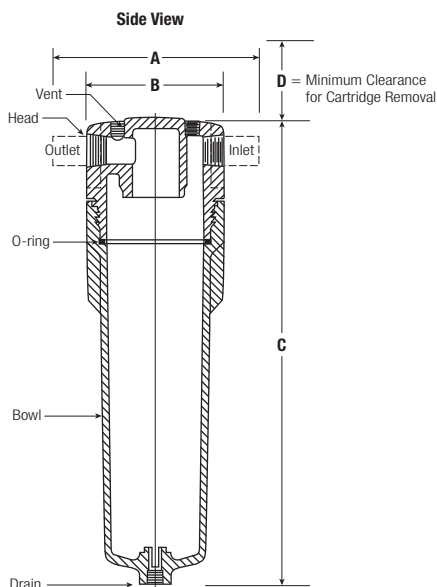
This housing is not recommended for compressed air or gas service. It is suitable for use with fully compatible* liquids only. This housing is not recommended for acid service at the pressure shown. Please contact Pall for detailed compatibility information.

* which do not soften, swell or adversely affect the product or its materials of construction.

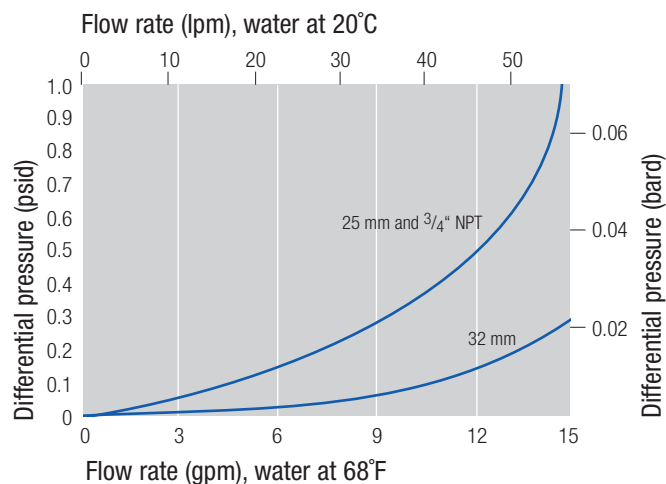
NOTE: Use of this product in a manner other than in accordance with Pall's current recommendations may lead to injury or loss. Pall cannot accept liability for such injury or loss.

Dimensional Data (nominal)

Model	Dimensions cm (in)			
	A	B	C	D
IDO4-PVDF- ³ / ₄	–	12.37 (4.87)	20.24 (7.97)	15.2 (6)
IDO4-PVDF-25BW	19.5 (7.68)	–	20.24 (7.97)	15.2 (6)
IDO4-PVDF-32BW	19.5 (7.68)	–	20.24 (7.97)	15.2 (6)
IDO10-PVDF- ³ / ₄	–	12.37 (4.87)	41.71 (16.42)	33 (13)
IDO10-PVDF-25BW	19.5 (7.68)	–	41.71 (16.42)	33 (13)
IDO10-PVDF-32BW	19.5 (7.68)	–	41.71 (16.42)	33 (13)



Housing Differential Pressure vs. Liquid Flow Rate



Unit Conversion: 1 bar = 100KPa

For liquids other than water, multiply differential pressure by the specific gravity of the fluid.

Ordering Information

Pall Part Number = IDO 1 - PVDF - 2

Table 1

Code	Cartridge lengths cm (in)
4	10.2/4 (M3 only)
10	25.4/10
12	30.5/12 (M8 only)

Table 2

Code	Inlet/outlet connection sizes
³ / ₄	³ / ₄ " NPT
25 BW	25 mm butt weld
32 BW	32 mm butt weld



25 Harbor Park Drive
Port Washington, NY 11050
+1 516 484 3600 telephone
+1 800 289 7255 toll free US

Portsmouth - UK
+44 (0)23 9230 3303 telephone
+44 (0)23 9230 2507 fax
processuk@pall.com

Filtration. Separation. Solution.sm

Visit us on the Web at www.pall.com

Pall Corporation has offices and plants throughout the world. For Pall representatives in your area, please go to www.pall.com/contact

Please contact Pall Corporation to verify that the product conforms to your national legislation and/or regional regulatory requirements for water and food contact use.

Because of technological developments related to the products, systems, and/or services described herein, the data and procedures are subject to change without notice. Please consult your Pall representative or visit www.pall.com to verify that this information remains valid.

© Copyright 2008, 2010 Pall Corporation. Pall and are trademarks of Pall Corporation. ® indicates a trademark registered in the USA. Filtration. Separation. Solution.sm is a service mark of Pall Corporation.