

## IDO Series Filter Housings

### 175 PSIG, Accepts Pall M3 (Code 3) Style 222 O-ring Single Open End Cartridges

- Positive Cartridge Sealing Minimizes Fluid Bypass
- Accepts 4" (10.2 cm), 10" (25.4 cm), 20" (30.8 cm) or 30" (76.2 cm) M3 (Code 3) Style Cartridges
- Unique Housing Design Has No Internal Parts
- Tri-Clamp Sealing Requires No Special Tools to Open or Close Housing
- Design Permits Visual Inspection of Cartridge Seal Prior to Closing Housing
- Optional Tri-Clamp Bracket Allows Easy Cartridge Replacement

### Housing Specifications

#### Maximum Operating Pressure:

175 psig (12.1 bar) @ 150°F (66°C)

*NOTE: Maximum operating pressure ratings are vessel ratings only. Safe operating temperature and pressure will depend on filter cartridge and gasket/O-ring used. For inquiries on compatibility, contact the factory or your Pall distributor.*

#### Construction:

Head:	316L Stainless Steel
Shell:	316 Stainless Steel
Tri-Clamp:	304 Stainless Steel
Vent Plug:	316 Stainless Steel
Drain Plug:	316 Stainless Steel

#### Connections:

Inlet/Outlet:	¾" NPT
Vent:	⅛" NPT
Drain:	¼" NPT

#### Shell O-rings:

EPDM (standard)  
Neoprene, FEP, Silicone Elastomer,  
Buna N, Viton<sup>1</sup> A

#### Bracket Options:

Universal:	Nickel Plated Steel
Tri-Clamp:	316 Stainless Steel

**Interior Finish:** #4 Final Finish

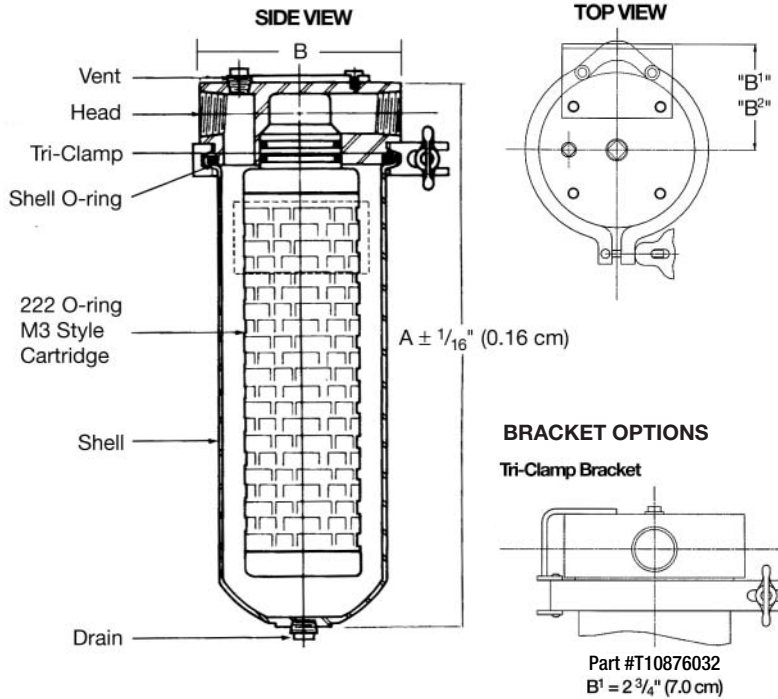


<sup>1</sup> Registered trademark of DuPont Dow.

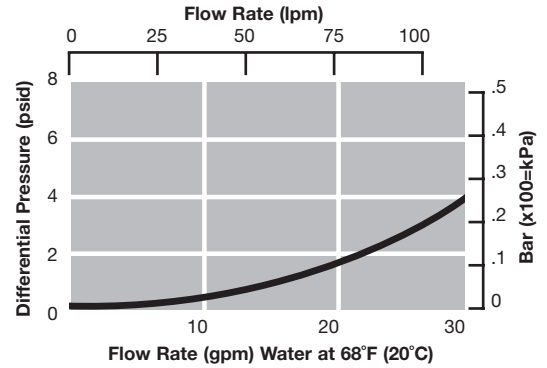
## Dimensional Data (nominal)

Model	Liquid <sup>2</sup> Flow Rate (gpm)	Dimensions (inches)		Dry Weight (pounds)
		A	B	
IDO4S-3/4	to 4 (15.1 lpm)	8 1/2 (21.6 cm)	4 1/8 (10.5 cm)	8 (3.6 kg)
IDO10S-3/4	to 10 (37.9 lpm)	14 3/4 (37.5 cm)	4 1/8 (10.5 cm)	9 (4.1 kg)
IDO20S-3/4	to 20 (75.7 lpm)	24 3/4 (62.9 cm)	4 1/8 (10.5 cm)	10 (4.5 kg)
IDO30S-3/4	to 30 (113.7 lpm)	34 3/4 (88.3 cm)	4 1/8 (10.5 cm)	13 (5.8 kg)

<sup>2</sup> Dependent on cartridge selection, fluid viscosity, and allowable pressure drop. See graph above for housing pressure drop at various low rates. Refer to specific cartridge nomograph to determine initial pressure drop due to the filter cartridge.

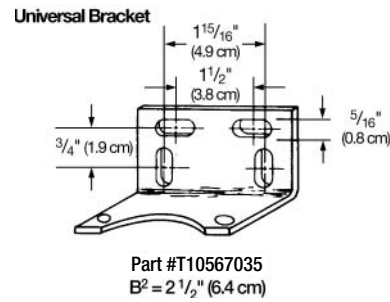
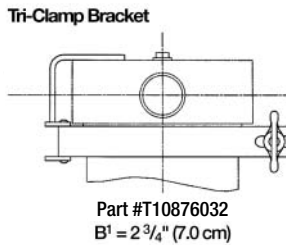


Housing Differential Pressure vs. Liquid Flow Rate



For liquids other than water, multiply differential pressure by specific gravity.

### BRACKET OPTIONS



## Part Numbers/Ordering Information

IDO ● S – 3/4 \* (e.g., IDO10S-3/4CB)

Code ●	Cartridge Lengths	Code *	Mounting Brackets
4	4"	Blank	Universal
10	10"	CB	Tri-Clamp
20	20"		
30	30"		



2200 Northern Boulevard  
East Hills, New York 11548-1289

1.800.FILTERS toll free  
516.484.5400 phone  
516.484.0364 fax  
information@pall.com e-mail

Visit us on the Web at [www.pall.com](http://www.pall.com)

Pall Corporation has offices and plants throughout the world in locations including: Argentina, Australia, Austria, Belgium, Brazil, Canada, China, France, Germany, Hong Kong, India, Indonesia, Ireland, Italy, Japan, Korea, Malaysia, Mexico, the Netherlands, New Zealand, Norway, Poland, Puerto Rico, Russia, Singapore, South Africa, Spain, Sweden, Switzerland, Taiwan, Thailand, United Kingdom, United States, and Venezuela. Distributors are located in all major industrial areas of the world.

© Copyright 2007, Pall Corporation. Pall and are trademarks of Pall Corporation. ® Indicates a Pall trademark registered in the USA. Filtration. Separation. Solution.<sup>sm</sup> is a service mark of Pall Corporation.

Filtration. Separation. Solution.<sup>sm</sup>