

LMO Spring Seal Series Filter Housings

Self-Adjusting Sealing Device Ensures Positive Filter Cartridge Seal

- Provides positive sealing of non-compressible filters¹ such as pleated, carbon, metallic, and membrane cartridges
- Accepts 10.2 cm (4 in), 25.4 cm (10 in), 50.8 cm (20 in), or 76.2 cm (30 in) DOE filter cartridges²
- O-ring head and shell seal minimizes fluid leakage
- In-line inlet and outlet connections for easy installation
- Cast iron and 316 stainless steel or all 316 stainless steel materials of construction

Housing Specifications

Maximum operating pressure

12.1 bar (175 psig) @ 93°C (200°F)

Construction	Head ³	Shell
LMOSS:	Cast iron ⁴	316 stainless steel
LMOSS S:	Cast 316 stainless steel	316 stainless steel

Connections

Inlet/outlet:	½", ¾", or 1" NPT
Drain: LMOSS:	Drain plug, 316 stainless steel, ¼" NPT
LMOSS S:	Drain plug, 316 stainless steel, ¼" NPT

Shell O-rings	Ethylene propylene (standard), nitrile, FEP, fluorocarbon elastomer, neoprene, silicone elastomer
----------------------	---

Spring seal O-rings	FEP (standard), ethylene propylene
----------------------------	------------------------------------

Cover nut O-ring	FEP
-------------------------	-----



Bracket Option

Stainless steel brackets are available as a standard option.

T-Handle Option

T-handle cover nuts are available in carbon steel or 316 stainless steel. Standard units are supplied with hex head cover nut.

Flange option

150 lb. ANSI raised face flanges are available on the 316 stainless steel units only.

¹ The LMO Spring Seal Series housing is not recommended for metallic cartridges. For metallic cartridges use the LMO Vari-Seal™ housing only.

² When fitting with 10.2 cm (4 in) DOE filters, please order filters under Code 550 to assure proper fit.

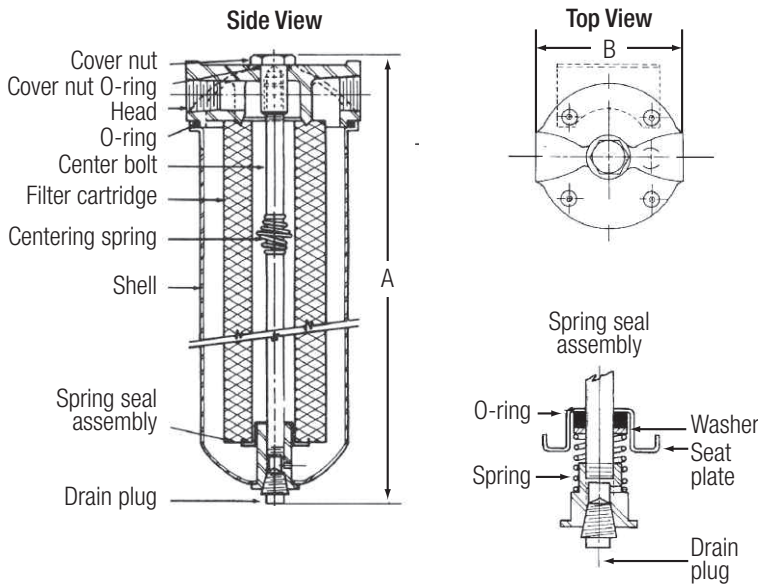
³ Housing head has mounting bosses which accept self-tapping screws.

⁴ Painted exterior.

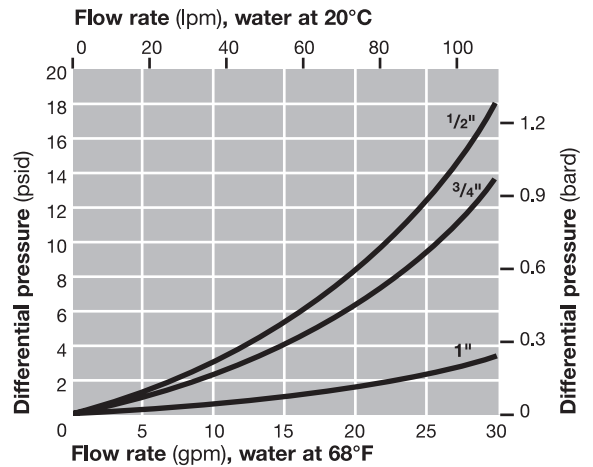
Dimensional Data (nominal)

Model	Connecton Size			Flow Rate ⁵ lpm (gpm)	Dimensions cm (in)		Sealing Distance cm (in)	Weight kg (lb)
	1/2"	3/4"	1"		A	B		
LMOSS10		X	X	to 37.9 (10)	34.3 (13.5)	12.1(4.75)	24.8 - 25.6 (9.75 - 10.06)	3.1 (6.75)
LMOSS20		X	X	to 75.7 (20)	59.7 (23.5)	12.1(4.75)	50.2 - 51.1 (19.75 - 20.13)	4.1 (9)
LMOSS10S	X	X	X	to 37.9 (10)	34.3 (13.5)	12.1(4.75)	24.8 - 25.6 (9.75 - 10.06)	3.1 (6.75)
LMOSS20S		X	X	to 75.7 (20)	59.7 (23.5)	12.1(4.75)	74.9 - 76.7 (19.5 - 20.125)	4.1 (9)
LMOSS30S		X	X	to 113.6 (30)	85.1 (33.5)	12.1(4.75)	49.5 - 51.1 (29.5 - 30.19)	5.1 (11.25)

⁵ Dependent upon cartridge selection, fluid viscosity and allowable pressure drop at various flow rates. Refer to cartridge nomograph to determine initial pressure drop of filter cartridge.

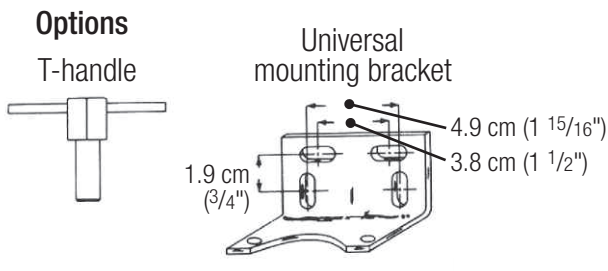


Housing Differential Pressure vs. Liquid Flow Rate



Unit Conversion: 1 bar = 100 kPa

For liquids other than water, multiply differential pressure by specific gravity.



Ordering Information

Pall Part Number = LMOSS 1 2 - 3 4

Table 1

Code	Cartridge lengths (cm/in)
4 ²	10.2/4
10	25.4/10
20	50.8/20
30	76.2/30

Table 2

Code	Materials of construction
Blank	Cast iron and 316 stainless steel
S	316 stainless steel

Table 3

Code	Connection sizes
1/2	1/2"
3/4	3/4"
1	1"

Table 4

Code	Connection styles
Blank	NPT
F	Flange ⁶

⁶ Flanges on the LMOSS S are welded to the cast head. Flanges are not available on the LMOSS models.



25 Harbor Park Drive
 Port Washington, NY 11050
 +1 516 484 3600 telephone
 +1 800 289 7255 toll free US

Visit us on the Web at www.pall.com

Pall Corporation has offices and plants throughout the world. For Pall representatives in your area, please go to www.pall.com/contact.

Please contact Pall Corporation to verify that the product conforms to your national legislation and/or regional regulatory requirements for water and food contact use.

Because of technological developments related to the products, systems, and/or services described herein, the data and procedures are subject to change without notice. Please consult your Pall representative or visit www.pall.com to verify that this information remains valid.

© Copyright 2009, 2011, Pall Corporation. Pall, , and Vari-Seal are trademarks of Pall Corporation. ® indicates a trademark registered in the USA. **Filtration. Separation. Solution.** and **ENABLING A GREENER FUTURE** are service marks of Pall Corporation.