

TKO 700 Series Filter Housings

Versatile, Multi-Cartridge Housings

- 10.3 bar (150 psig) maximum operating pressure permits use in a wide range of applications
- Accepts Pall M3 (Code 3), M8 (Code 8) or DOE style filter cartridges
- Accepts seven - 25.4 cm (10 in), 50.8 cm (20 in), 76.2 cm (30 in), or 102 cm (40 in) cartridges for an optimum choice for a given flow rate
- 7-around design combines longer cartridge life with lower pressure drop
- Heavy duty V-clamp closure allows quick, easy cartridge change-out
- 304 or 316L stainless steel materials of construction for maximum corrosion resistance in a non-code housing
- Available with 2 inch Tri-Clover¹ sanitary flange

Housing Specifications

Maximum operating pressure²

10.3 bar (150 psig) @ 93°C (200°F) in liquid service

Construction	A	SL
Head:	316L Stainless Steel	316L Stainless Steel
Shell:	304 Stainless Steel	316L Stainless Steel
Vent plug:	304 Stainless Steel	316 Stainless Steel
Drain cap:	304 Stainless Steel	316 Stainless Steel
Bottom seat plate:	316L Stainless Steel	316L Stainless Steel

Connections

Inlet/outlet:	2" NPT
Vent:	1/4" NPT
Drain:	3/4" NPT
Shell O-rings:	Ethylene propylene (standard), nitrile, fluorocarbon elastomer, silicone elastomer



Connection option

Available with 150 lb. ANSI raised face threaded flanges or Tri-Clover sanitary flange (pipe size).

Internal components

316 stainless steel top seat plate assemblies and tube guides are standard with internal parts option. Accu-Seal™ and Uni-Seal™ sealing mechanisms are optional.

¹ - Registered trademark of Tri-Clover, Inc.

² - Maximum operating pressure ratings are vessel ratings only. Safe operating temperature and pressure will depend on filter cartridge and gasket/O-ring used. For inquiries on compatibility, consult your Pall representative.

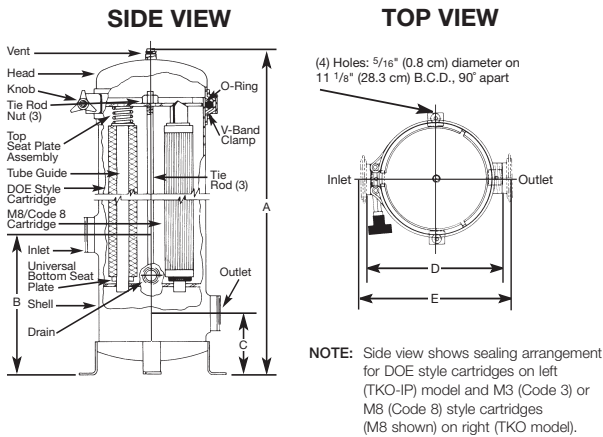
WARNING: Not for use with compressed gases.

Dimensional Data (nominal)

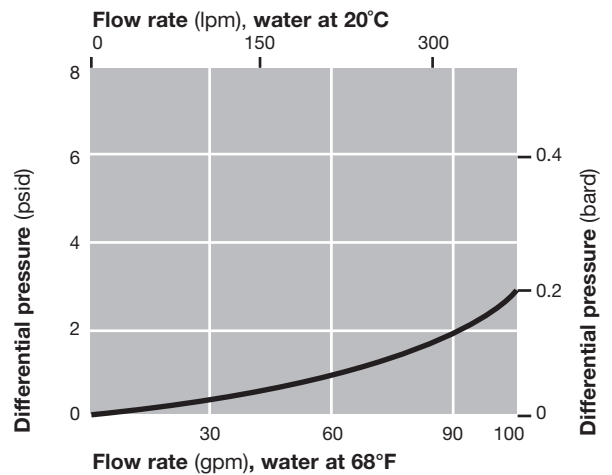
Model	Liquid ³ Flow Rates - lpm (gpm)	Dimensions - cm (inches)					Maximum Cartridge Diameter - cm (inches)	Weight - kg (pounds)	Overhead ⁴ Clearance Required For Cartridge Removal - cm (inches)
		A	B	C	D	E			
7TKO1A-2	to 132 (35)	63.5 (25)	29.2 (11.5)	14 (5.5)	30.5 (12)	32.7 (12.88)	7 (2.75)	13.2 (29)	78.7 (31)
14TKO2A-2	to 265 (70)	85.1 (33.5)	29.2 (11.5)	14 (5.5)	30.5 (12)	32.7 (12.88)	7 (2.75)	15.4 (34)	123.2 (48.5)
21TKO3A-2	to 379 (100)	112 (44)	29.2 (11.5)	14 (5.5)	30.5 (12)	32.7 (12.88)	7 (2.75)	18.1 (40)	183 (72)
28TKO4A -2	to 379 (100)	138.4 (54.5)	29.2 (11.5)	14 (5.5)	30.5 (12)	32.7 (12.88)	7 (2.75)	21 (46)	227.3 (89.5)

³ - Flow rates are listed for depth cartridges. Consult factory for flow rates above 379 lpm (100 gpm).

⁴ - 10-inch cartridges may be used instead of 20 in, 30 in, or 40 in cartridges in 2, 3, or 4-deck TKO-IP housings, which will reduce this height. When using 10-inch cartridges in multi-deck housings, cartridge spacers are required. For 316 stainless steel spacers, specify Part #T10583032.



Typical Differential Pressure vs. Liquid Flow Rate



Unit conversion: 1 bar = 100 kPa

For liquids other than water, multiply differential pressure by specific gravity.

Ordering Information

Pall Part Number = TKO - 2 -

Table 1

Code	No. of 25.4 cm (10 in) equivalents
7	7
14	14
21	21
28	28

Table 2

Code	No. of 25.4 cm (10 in) equivalents per column
1	1
2	2
3	3
4	4

Table 3

Code	Materials of construction
A	304 stainless steel
SL	316L stainless steel

Table 5

Code	Internal parts ⁵
Blank	No internal parts
IP	Internal parts

⁵ - Standard vessels include internal parts of top seat plates and tube guides. Basic vessels without internal parts may be ordered as non-stock items.

Table 4

Code	Connection styles
Blank	NPT
F	Flange
TC	Tri-Clover



Pall Corporation

25 Harbor Park Drive
Port Washington, NY 11050
+1 516 484 3600 telephone
+1 800 289 7255 toll free US

Portsmouth - UK
+44 (0)23 9230 3303 telephone
+44 (0)23 9230 2507 fax
processuk@pall.com

Visit us on the Web at www.pall.com

Pall Corporation has offices and plants throughout the world. For Pall representatives in your area, please go to www.pall.com/contact

Please contact Pall Corporation to verify that the product conforms to your national legislation and/or regional regulatory requirements for water and food contact use.

Because of technological developments related to the products, systems, and/or services described herein, the data and procedures are subject to change without notice. Please consult your Pall representative or visit www.pall.com to verify that this information remains valid.

© Copyright 2004, 2011, Pall Corporation. Pall and are trademarks of Pall Corporation. ® indicates a trademark registered in the USA. Filtration. Separation. Solution.sm is a service mark of Pall Corporation.