



TKO High Flow 1200 & 2100 Series Filter Housings

High Capacity 316L Stainless Steel, Accepts 12 or 21, 30" (76.2 cm) or 40" (102 cm) Cartridges

- T- Style Inlet and Outlet Connections
- Universal Seat Cup Accepts Single or Double Open End Cartridges
- 3" or 4" Flange or Tri-Clover¹ Pipe Connections
- Operating Pressures to 120 psig (8.3 bar) @ 200°F (93°C) for Liquid Service
- Pivot Pin Davit Assembly Standard on 21 Around Housings
- 316L Stainless Steel Materials of Construction for Maximum Corrosion Resistance

Housing Specifications

Maximum Operating Pressure:

120 psig (8.3 bar) @ 200°F (93°C)

NOTE: Maximum operating pressure ratings are vessel ratings only. Safe operating temperature and pressure will depend on filter cartridge and gasket/O-ring used. For cyclical service please consult your Pall representative.

Connections:

Inlet/Outlet:

1200 Series: 3" ANSI RF Flange or Tri-Clover Pipe Sanitary Flange

2100 Series: 3" or 4" ANSI RF Flange, 3" or 4" Tri-Clover Pipe Sanitary Flange

Drain/Vent: ½" NPT

Shell O-rings:

EPDM (standard),
Fluorocarbon Elastomer,
Silicone Elastomer, EPR

Closures:

1200 Series: V-Band Clamp

2100 Series: Swing Bolts (zinc plated steel)

Internal Components:

316 stainless steel top seat plate assemblies and tube guides are standard with internal parts option.

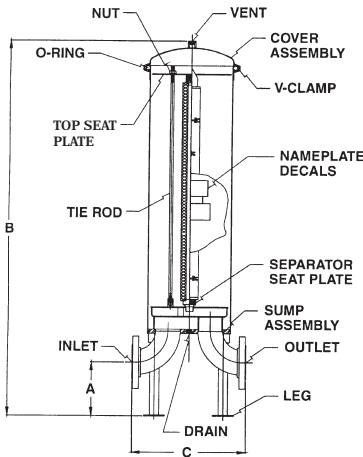


¹ - Registered trademark of Tri-Clover, Inc.

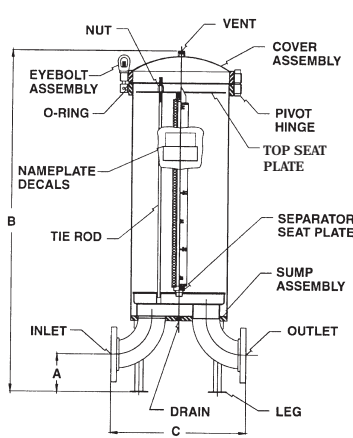
Dimensional Data (nominal)

Model	Dimensions - inches (cm)			Maximum Cartridge Diameter - inches (cm)	Empty Weight - pounds (kg)	Minimum Clearance - inches (cm)
	A	B	C			
36TKOHF3-3F	7 5/16 (19.2)	55 (140)	16 (41)	2 3/4 (7)	125 (57)	31 (79)
48TKOHF4-3F	7 5/16 (19.2)	65 (165)	16 (41)	2 3/4 (7)	150 (68)	41 (104)
63TKOHF3-4F	6 1/8 (15.6)	58 (147)	22 1/4 (56.5)	2 3/4 (7)	225 (102)	31 (79)
84TKOHF4-4F	6 1/8 (15.6)	68 (173)	22 1/4 (56.5)	2 3/4 (7)	250 (113)	41 (104)
63TKOHF3-3F	7 5/8 (19.4)	58 (147)	19 (48.3)	2 3/4 (7)	220 (100)	31 (79)
84TKOHF4-3F	7 5/8 (19.4)	68 (173)	19 (48.3)	2 3/4 (7)	245 (111)	41 (104)

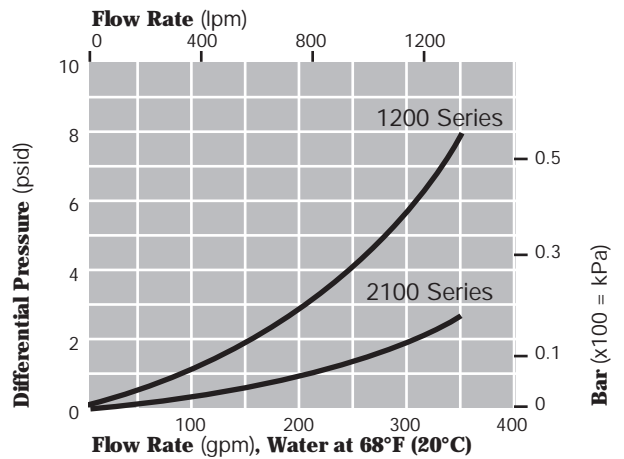
SIDE VIEW (1200 Series)



SIDE VIEW (2100 Series)



Housing Differential Pressure vs. Liquid Flow Rate



For liquids other than water, multiply differential pressure by specific gravity.

Part Numbers/Ordering Information (1200 Series)

■ TKO HF ● - 3 ▼ (e.g., 36TKOHF3-3F)

Code	No. of 10" Equivalents
36	36
48	48

Code	No. of 10" Equivalents Per Column
●	
3	3
4	4

Code	Connection Styles
▼	
F	Flange
TC	Tri-Clover

Part Numbers/Ordering Information (2100 Series)

■ TKO HF ● - ◆ ▼ (e.g., 63TKOHF3-4F)

Code	No. of 10" Equivalents
63	63
84	84

Code	No. of 10" Equivalents Per Column
●	
3	3
4	4

Code	Inlet/Outlet Connection Sizes
◆	
3	3"
4	4" (standard)

Code	Connection Styles
▼	
F	Flange
TC	Tri-Clover



25 Harbor Park Drive
Port Washington, New York 11050

+1 888 873 7255 (toll free in U.S. only)
+1 516 484 3600 phone
+1 516 484 0364 fax

Visit us on the Web at www.pall.com

Pall Corporation has offices and plants throughout the world in locations including: Argentina, Australia, Austria, Belgium, Brazil, Canada, China, France, Germany, India, Indonesia, Ireland, Italy, Japan, Korea, Malaysia, Mexico, the Netherlands, New Zealand, Norway, Poland, Puerto Rico, Russia, Singapore, South Africa, Spain, Sweden, Switzerland, Taiwan, Thailand, United Kingdom, United States, and Venezuela. Distributors are located in all major industrial areas of the world.