



## New: Retrofit for Jonell 644 Filter Element

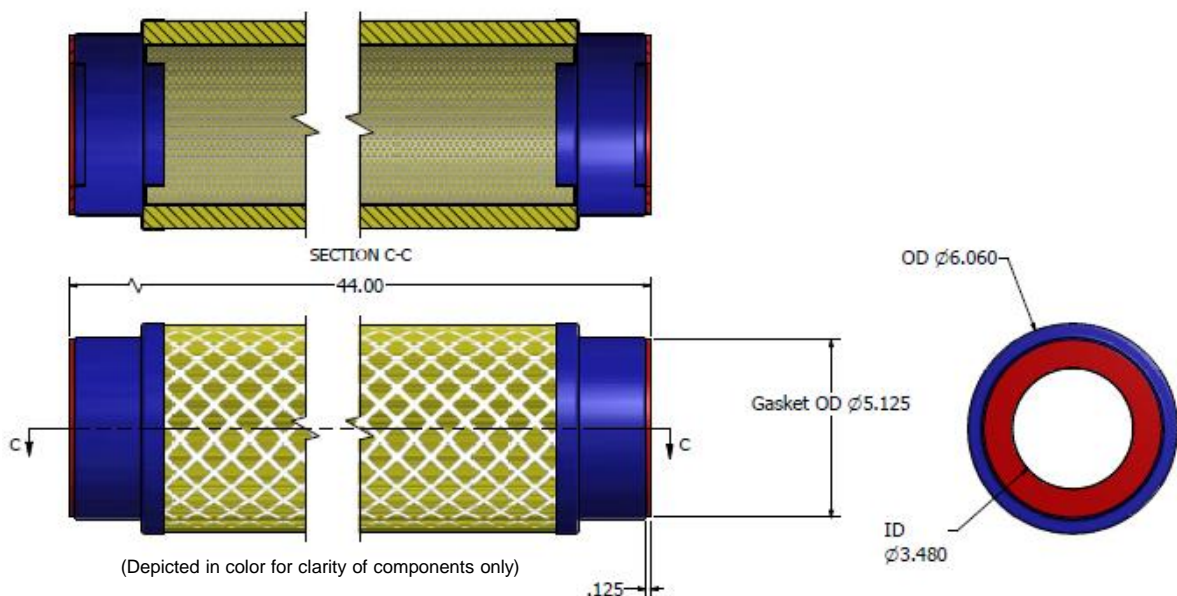
### Introducing Pall's 'direct replacement' filter technology for users of Jonell filters for general industrial applications

Pall's new retrofit products allow users of other manufacturers' elements to benefit from Pall technology without the need to replace the existing housing/vessel. Pall retrofit products are direct replacements for existing elements, offering the performance and value you have come to expect from Pall.

#### Advantages of Pall Technology

Pall's filter media and element designs bring together industry leading technologies and advanced manufacturing processes to deliver unsurpassed performance and value in each and every element.

#### Nominal Element Dimensions



**Pall Retrofit p/n: PRPF018PE644D0100V**

**Replaces: Jonell p/n: JPMC-644 Series**

#### Specifications:

- Large Surface Area for longer service life
- Out-to-In Flow Direction
- Pleated Medium: Cellulose
- Hardware: 304 Stainless Steel
- Core: 304 Stainless Steel
- Flat Gasket: Viton
- Max Operating Differential Pressure: 30 psid (2.0 bar)
- Max Operating Temperature: 250°F (121°C)

#### Global Presence – Local Support

Pall is a global company with offices in Asia, Americas, Europe, and the Middle East. This global presence gives us the ability to provide local commercial or technical support whenever or wherever there is a customer need.



25 Harbor Park Drive  
Port Washington, NY 11050

+1 516 484 3600 telephone toll  
+1 800 289 7255 free US

Portsmouth – UK  
+44 (0)23 9233 8000 telephone  
+44 (0)23 9233 8811 fax  
[industrialeu@pall.com](mailto:industrialeu@pall.com)

Filtration. Separation. Solution.<sup>SM</sup>

Visit us on the web at [www.pall.com](http://www.pall.com)

Pall Corporation has offices and plants throughout the world. For Pall representatives in your area, please go to [www.pall.com/contact](http://www.pall.com/contact)

Because of technological developments related to the products, systems, and/or services described herein, the data and procedures are subject to change without notice. Please consult your Pall representative or visit [www.pall.com](http://www.pall.com) to verify that this information remains valid.

© Copyright 2018, Pall Corporation. Pall, and are trademarks of Pall Corporation. Jonell is a trademark of Jonell Filtration Products, Inc. BETTER LIVES. BETTER PLANET. and Filtration. Separation. Solution.<sup>SM</sup> are service marks of Pall Corporation.

March 2018