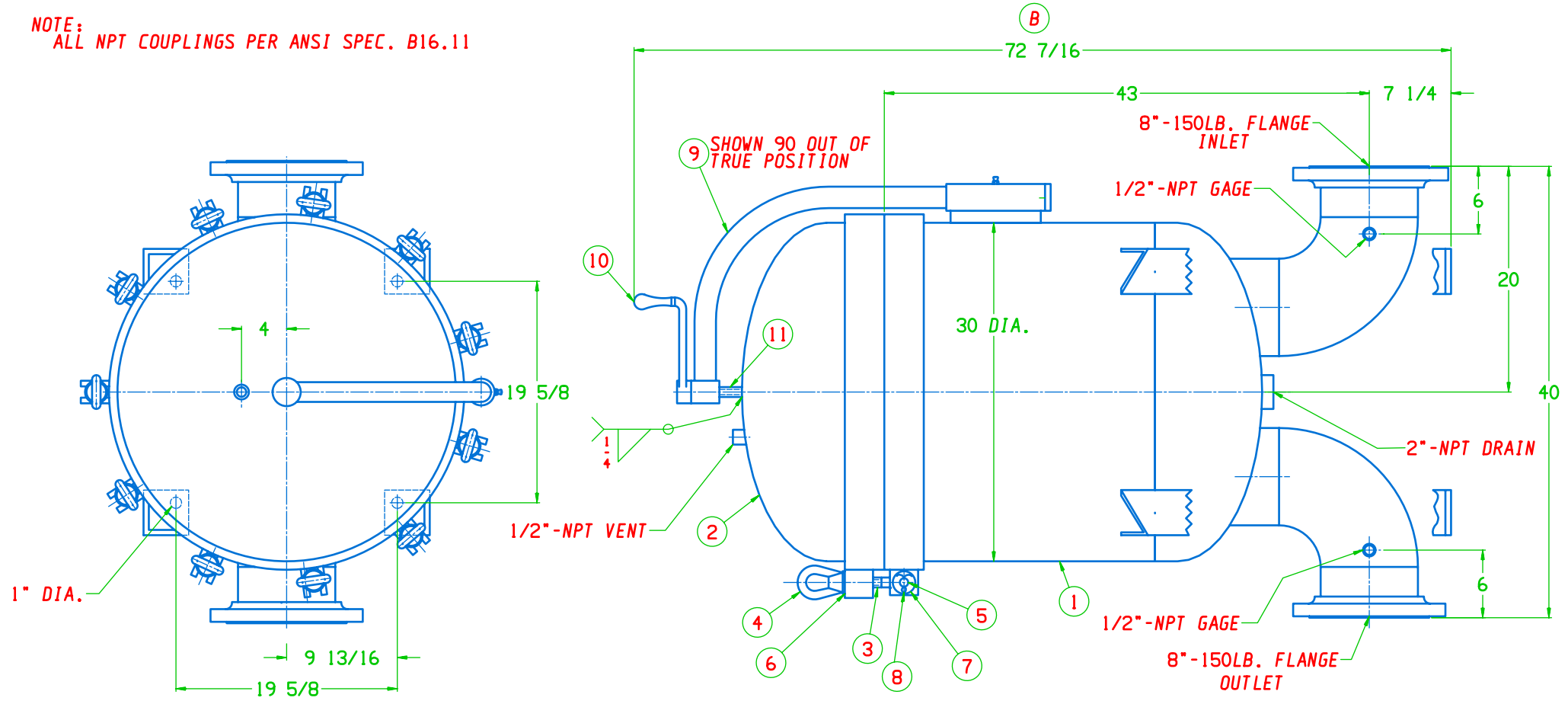


ITEM	QTY	DESCRIPTION	MATERIAL	PART NO.	ITEM	QTY	DESCRIPTION	MATERIAL	PART NO.
1	1	HOUSING WELD ASS'Y	316 S.S.	428716	8	11	COTTER PIN	S.S.	EHCP03X160B
2	1	LID ASS'Y	316 S.S.	PCA428777C	9	1	LIFTING ARM	C.S. NI. PLT.	LDR0202
3	11	EYE BOLT (7/8-9 UNC)	SA-193-B7 NI. PLATED	PHB25012A09E	10	1	LIFT. ARM CRANK	MALL. IRON NI. PLATED	LDC26004AOME
4	11	EYE NUT (7/8-9 UNC)	SA-194-1 NI. PLATED	PHE25024A10E	11	1	LIFT SCREW (7/8-9 UNC)	P-NO. 8	PDA28031A0B
5	11	CLEVIS PIN (3/4 DIA.)	SA-193-B7 NI. PLATED	PHP25120A09E	12	8	BASKET (NOT SHOWN)	316 S.S.	EBA27025C
6	11	WASHER (HARDENED) 7/8 USS	C.S.-ZN. PLT.	EHWU14HOAZ	13	1	GASKET (NOT SHOWN)	BUNA-N	EGL30207B
7	11	WASHER 3/4 SAE	S.S.	EHWS120B					

NOTE:
ALL NPT COUPLINGS PER ANSI SPEC. B16.11



CONSTRUCTION IN ACCORDANCE WITH A.S.M.E. CODE
SECTION VIII, DIV. 1.
FOR UNFIRED PRESSURE VESSELS
MAX. ALLOWABLE WORKING PRESSURE 150 PSI
HYDROSTATIC TEST PRESSURE 195 PSI
MAX. DESIGN TEMP. 250° F
MIN. DESIGN METAL TEMP. -20° F
PWHT NOT REQUIRED PER UHA-32
IMPACT TESTING NOT REQUIRED PER UHA-51

5865

STOCK VESSEL

				FSI	FILTER SPECIALISTS INC. MICHIGAN CITY, IND. 46360	DATE 7-31-03 APP'D RLH	DWN BY RLH SCALE 1-7
C	WAS 73 15/16	JND	1/18/08				
B	WAS 73 11/16	RLH	1-26-06				
A	UPDATED BOM	JSM	7/26/05				
CHG	REVISION	BY	DATE				
					FILTER ASS'Y FSPN-2000 #4- 8" FLG PART NO. 428717	MATERIAL 316 S.S.	DRAWING NO. 1901431