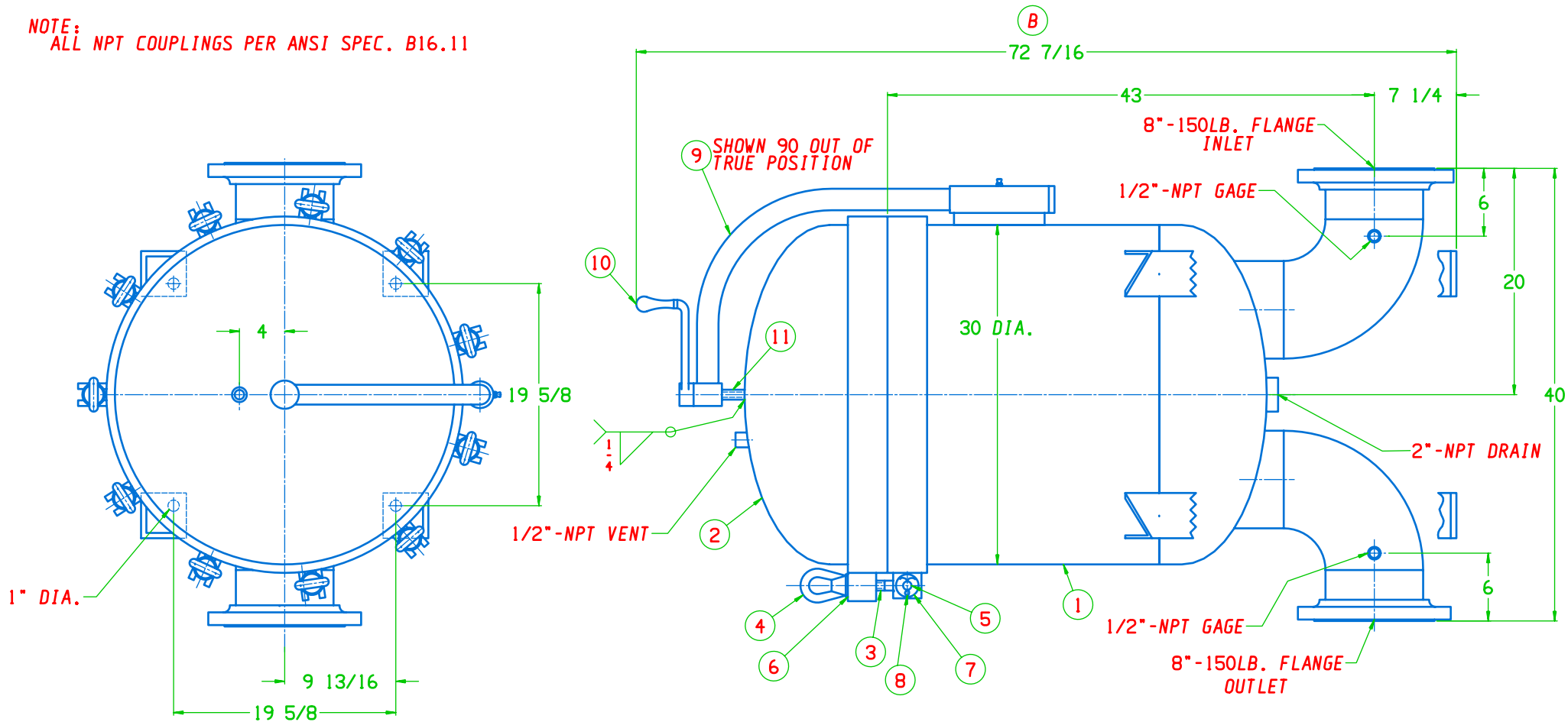


| ITEM | QTY | DESCRIPTION | MATERIAL | PART NO. | ITEM | QTY | DESCRIPTION | MATERIAL | PART NO. |
|------|-----|---------------------------|--------------|-------------|------|-----|------------------------|----------|-------------|
| 1 | 1 | HOUSING WELD ASS'Y | C.S. | 428714 | 8 | 11 | COTTER PIN | S.S. | EHCP03X160B |
| 2 | 1 | LID ASS'Y | C.S. | PCA421560A | 9 | 1 | LIFTING ARM | C.S. | LDR0202 |
| 3 | 11 | EYE BOLT (7/8-9 UNC) | SA-193-B7 | PHB25012A09 | 10 | 1 | LIFT. ARM CRANK | C.S. | LDC26004AOM |
| 4 | 11 | EYE NUT (7/8-9 UNC) | SA-194-1 | PHE25024A10 | 11 | 1 | LIFT SCREW (7/8-9 UNC) | P-NO. 1 | PDS28031A0A |
| 5 | 11 | CLEVIS PIN (3/4 DIA.) | SA-193-B7 | PHP25120A09 | 12 | 8 | BASKET (NOT SHOWN) | 304 S.S. | EBA27025B |
| 6 | 11 | WASHER (HARDENED) 7/8 USS | C.S. ZN.PLT. | EHWU14HOAZ | 13 | 1 | GASKET (NOT SHOWN) | BUNA | EGL30207B |
| 7 | 11 | WASHER 3/4" SAE | C.S. | EHWS12SOA | | | | | |

NOTE:
ALL NPT COUPLINGS PER ANSI SPEC. B16.11



CONSTRUCTION IN ACCORDANCE WITH A.S.M.E. CODE
SECTION VIII, DIV. 1,
FOR UNFIRED PRESSURE VESSELS
MAX. ALLOWABLE WORKING PRESSURE 150 PSI
HYDROSTATIC TEST PRESSURE 195 PSI
MAX. DESIGN TEMP. 500° F
MIN. DESIGN METAL TEMP. 20° F

CRN U9626.2 (ALBERTA)

STOCK VESSEL

| | | | | FSI | | FILTER SPECIALISTS INC. | | DATE 7-31-03 | | OWN BY RLH | |
|-----|--------------|-----|----------|-----|--|---------------------------|--|--------------|--|--------------|--|
| | | | | | | MICHIGAN CITY, IND. 46360 | | APP'D RLH | | SCALE 1-7 | |
| | | | | | | FILTER ASS'Y | | MATERIAL | | CARBON STEEL | |
| C | WAS 73 15/16 | JND | 1/18/08 | | | FSPN-2000 #4- 8"FLG | | DRAWING NO. | | 1901429 | |
| B | WAS 73 11/16 | RLH | 1-26-06 | | | PART NO. 428715 | | | | | |
| A | UPDATED BOM | JSH | 10/21/05 | | | | | | | | |
| CHG | REVISION | BY | DATE | | | | | | | | |

5857