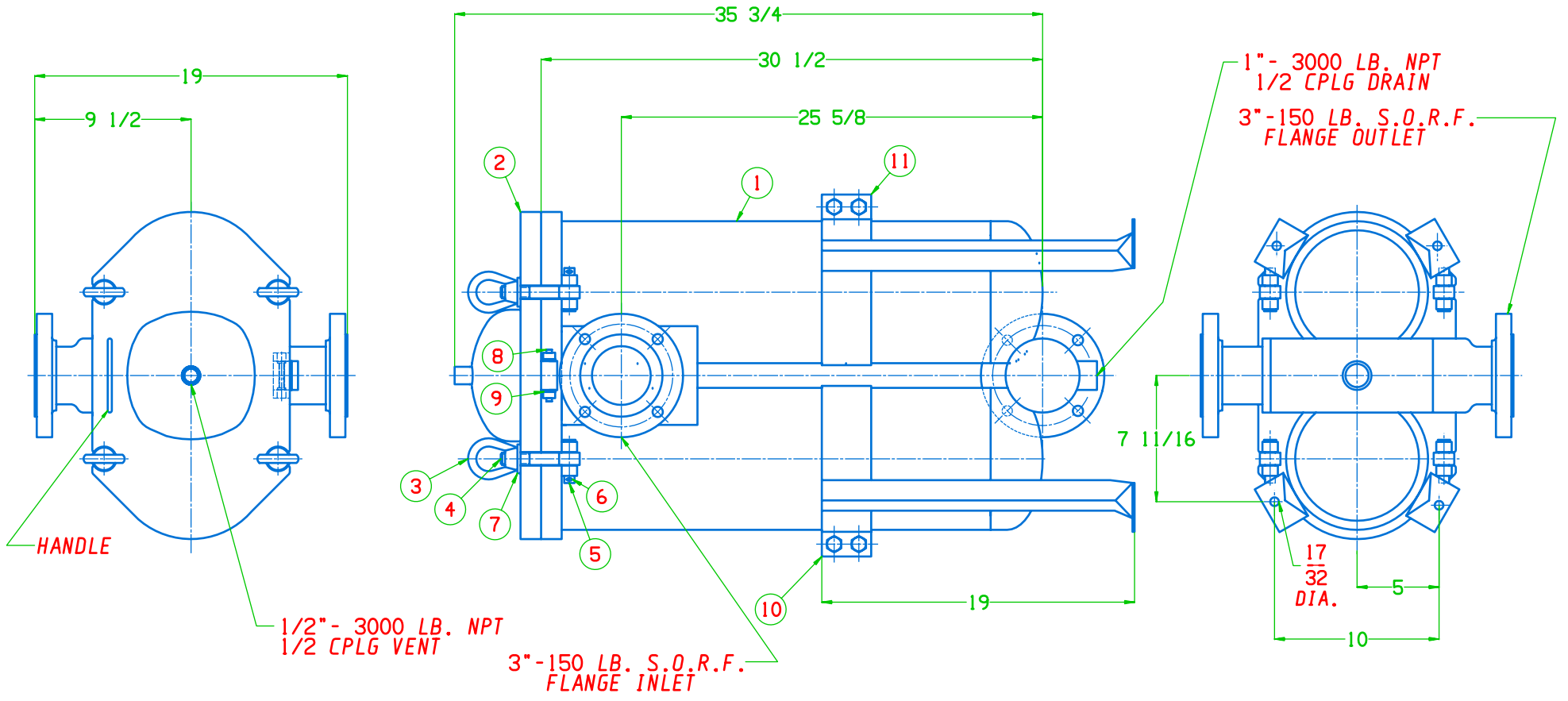


ITEM	QTY	DESCRIPTION	MATERIAL	PART NO.	ITEM	QTY	DESCRIPTION	MATERIAL	PART NO.
1	1	HOUSING WELD ASSY	316 S.S.	429024	8	2	1/2" X 3/4" SOCKET HEAD SHOULDER SCREW	S.S.	EHSB8C12SB
2	1	LID ASS'Y (1 1/4" TK)	316 S.S.	PCA409615C	9	2	WASHER (1/2 USS)	S.S.	EHWS0BS0B
3	4	EYE NUT (3/4-10 UNC)	SA-194-1 NI. PLATED	PHE25007A10E	10	1	LEG ASSY (L.H.)	S.S.	LLA28180B
4	4	EYE BOLT (3/4-10 UNC 4 3/16"L)	SA-193-B7 NI. PLATED	PHB25009A09E	11	1	LEG ASSY (R.H.)	S.S.	LLA28181B
5	4	CLEVIS PIN (5/8 DIA. 2 1/2"L)	SA-193-B7 NI. PLATED	PHP25152A09E	12	2	BASKET (NOT SHOWN)	316 S.S.	EBA27025C
6	4	COTTER PIN (1/8 DIA.)	S.S.	EHCPO3X160B	13	1	GASKET (NOT SHOWN)	BUNA-N (STD.)	EGL30010B
7	4	WASHER (HARDENED) 3/4 USS	C.S. ZN.PLT.	EHWU12HOAZ					



CONSTRUCTION IN ACCORDANCE WITH A.S.M.E. CODE  
SECTION VIII, DIV. 1,  
FOR UNFIRED PRESSURE VESSELS  
MAX. ALLOWABLE WORKING PRESSURE 150 PSI  
HYDROSTATIC TEST PRESSURE 195 PSI  
MAX. DESIGN TEMP. 250° F  
MIN. DESIGN METAL TEMP. -20° F

STOCK VESSEL

I	REMOVED IT# 14 POLY-LOC INSERT RING	RS	10/25/12	<b>FSI</b> FILTER SPECIALISTS INC. MICHIGAN CITY, IND. 46360	DATE 11-17-03	OWN BY RLH
H	UPDATED ITEMS #8 & 9	JSH	8/17/09		APP'D RLH	SCALE 1-5
G	REVISED BOM	JSM	2/23/05		MATERIAL	316 S.S.
F	UPDATED PART NO.'S	RLH	2-1-05		DRAWING NO.	1901747
CHG	REVISION	BY	DATE		<b>FILTER ASSY</b> <b>FSPN-250 #6- 3" FLG</b> <b>PART NO. VB429025S</b>	