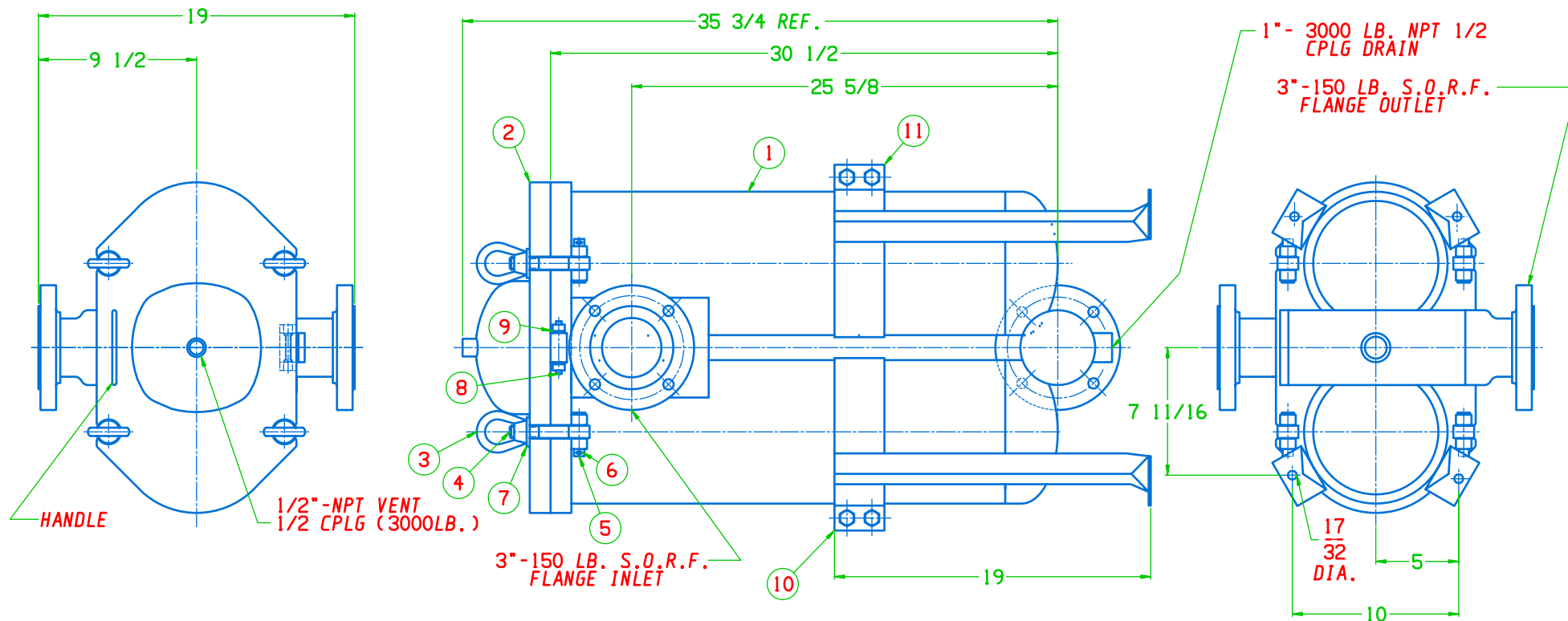


ITEM	QTY	DESCRIPTION	MATERIAL	PART NO.	ITEM	QTY	DESCRIPTION	MATERIAL	PART NO.
1	1	HOUSING WELD ASSY	C.S.	429026	8	2	1/2" X 3/4" SOCKET HEAD SHOULDER SCREW	C.S.	EHSB8C120A
2	1	LID ASS'Y (1 1/4" TK)	C.S.	PCA408971A	9	4	WASHER (1/2 USS)	C.S.	EHWS0BSOA
3	4	EYE NUT (3/4-10 UNC)	SA-194-1	PHE25007A10	10	1	LEG ASSY (L.H.)	C.S.	LLA28180A
4	4	EYE BOLT (3/4-10 UNC 4 3/16"L)	SA-193-B7	PHB25009A09	11	1	LEG ASSY (R.H.)	C.S.	LLA28181A
5	4	CLEVIS PIN (5/8 DIA. 2 1/2"L)	SA-193-B7	PHP25152A09	12	2	BASKET (NOT SHOWN)	304 S.S.	EBA27025B
6	4	COTTER PIN (1/8 DIA.)	S.S.	EHCPO3X160B	13	1	GASKET (NOT SHOWN)	BUNA-N (STD.)	EGL30010B
7	4	WASHER (HARDENED) 3/4 USS	C.S. ZN PLT.	EHWU12HOAZ					



CONSTRUCTION IN ACCORDANCE WITH A.S.M.E. CODE  
SECTION VIII, DIV. 1.  
FOR UNFIRED PRESSURE VESSELS  
MAX. ALLOWABLE WORKING PRESSURE 150 PSI  
HYDROSTATIC TEST PRESSURE 195 PSI  
MAX. DESIGN TEMP. 500° F  
MIN. DESIGN METAL TEMP. 20° F

STOCK VESSEL

C	REMOVED IT* 14 POLY-LOC INSERT RING	RS	10/25/12						
B	REVISED BOM	JSM	2/23/05						
A	UPDATED BOM	JSM	1/24/05						
CHG	REVISION	BY	DATE						

<b>FSI</b>	FILTER SPECIALISTS INC. MICHIGAN CITY, IND. 46360	DATE 11-17-03 APP'D RLH	DWN BY RLH SCALE 1-5
	FILTER ASSY FSPN-250 #6- 3" FLG PART NO. 429027	MATERIAL C.S.	DRAWING NO. 1901749