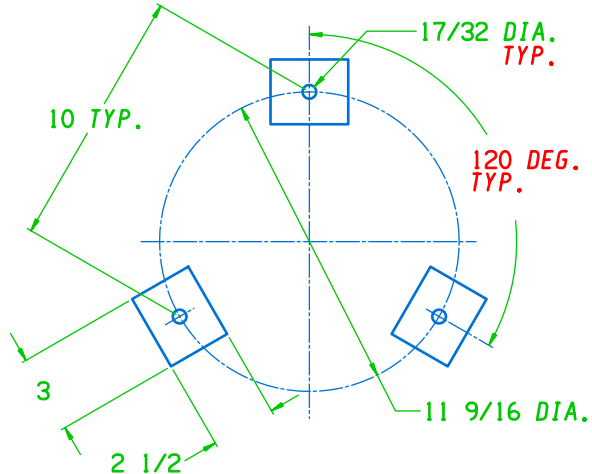
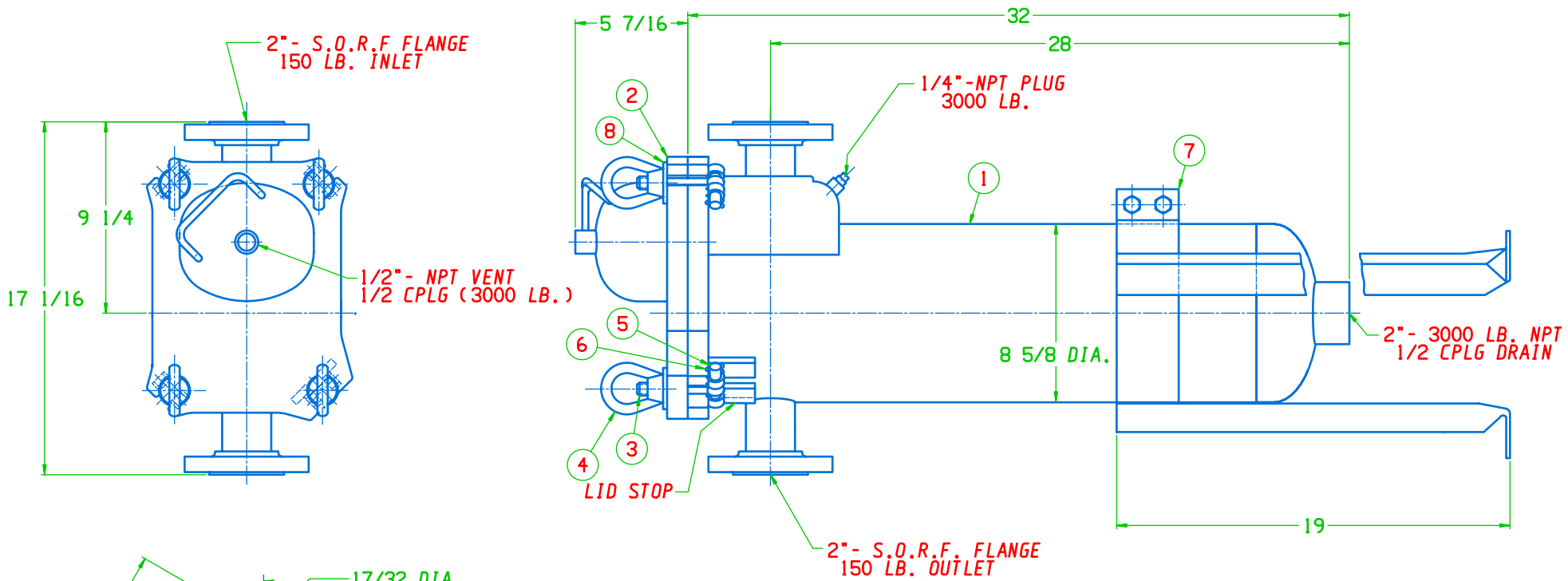


ITEM	QTY.	DESCRIPTION	MATERIAL	PART NO.	ITEM	QTY.	DESCRIPTION	MATERIAL	PART NO.
1	1	HOUSING WELD ASS'Y	316 S.S.	428762	6	4	COTTER PIN	S.S.	EHCP03X160B
2	1	LID ASS'Y (1" TK)	316 S.S.	PCA408662C	7	1	LEG ASSY	S.S.	LLA28060B
3	4	EYE BOLT (5/8-11 UNC X 3 1/2 LG)	SA-193-B8	PHB25146A24	8	4	WASHER (HARDENED) 5/8 USS	C.S. ZN.PLT.	EHWU10HOAZ
4	4	EYE NUT (5/8-11 UNC)	SA-194-1 NI. PLATED	PHE25006A10E	9	1	BASKET (NOT SHOWN)	316 S.S.	EBA27025C
5	4	CLEVIS PIN (1/2 DIA X 2 9/16 LG)	SA-193-B8	PHP25144A24	10	1	GASKET (NOT SHOWN)	BUNA-N (STD)	EGL30007B



CONSTRUCTION IN ACCORDANCE WITH A.S.M.E. CODE
SECTION VIII, DIV. 1.
FOR UNFIRED PRESSURE VESSELS
MAX. ALLOWABLE WORKING PRESSURE 150 PSI
HYDROSTATIC TEST PRESSURE 195 PSI
MAX. DESIGN TEMP. 250° F
MIN. DESIGN METAL TEMP. -20° F

STOCK VESSEL

				FSI	FILTER SPECIALISTS INC.	DATE 8/20/03	DWN BY MLH
					MICHIGAN CITY, IND. 46360	APP'D GA	SCALE 1-4
B	REMOVED IT-11 POLY-LOC INSERT RING	RS	10/25/12		FILTER ASS'Y	MATERIAL	316 S.S.
A	UPDATED BOM	JSN	1/24/05		FSPN-85 #1- 2"FLG	DRAWING NO.	1901477
CHG	REVISION	BY	DATE		PART NO. 428763		