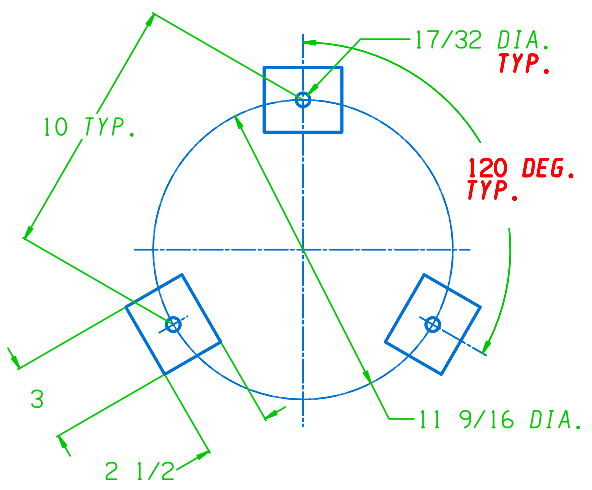
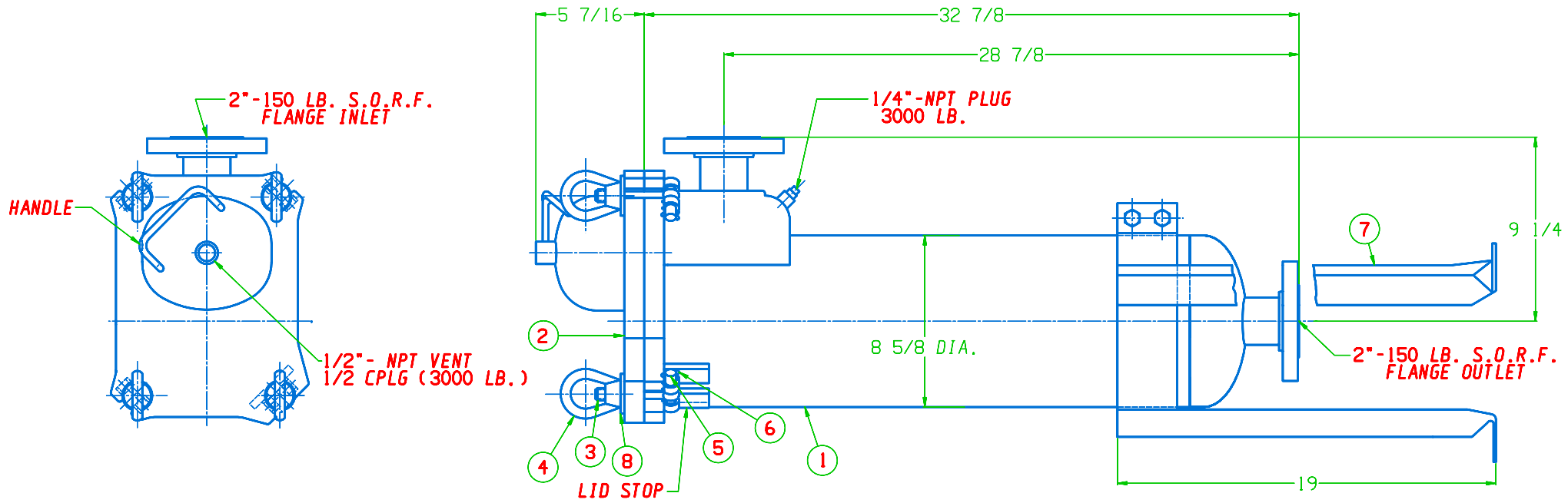


ITEM	QTY	DESCRIPTION	MATERIAL	PART NO.	ITEM	QTY.	DESCRIPTION	MATERIAL	PART NO.
1	1	HOUSING WELD ASS'Y	316 S.S.	428764	6	4	COTTER PIN	S.S.	EHCP03X160B
2	1	LID ASS'Y	316 S.S.	PCA408662C	7	1	LEG ASS'Y	S.S.	LLA28060B
3	4	EYE BOLT (5/8-11 UNC X 3 1/2 LG)	SA-193-B8	PHB25146A24	8	4	WASHER (HARDERENED) - 5/8" USS	C.S. ZN. PLT.	EHWU10HOAZ
4	4	EYE NUT (5/8-11 UNC)	SA-194-1 WT. PLATE	PHE25006A10E	9	1	BASKET (NOT SHOWN)	316 S.S.	EBA27025C
5	4	CLEVIS PIN (1/2 DIA X 2 9/16 LG)	SA-193-B8	PHP25144A24	10	1	GASKET (NOT SHOWN)	BUNA-N (STD)	EGL30007B



CONSTRUCTION IN ACCORDANCE WITH A.S.M.E. CODE SECTION VIII, DIV. 1. FOR UNFIRED PRESSURE VESSELS
 MAX. ALLOWABLE WORKING PRESSURE 150 PSI
 HYDROSTATIC TEST PRESSURE 195 PSI
 MAX. DESIGN TEMP. 250° F
 MIN. DESIGN METAL TEMP. -20° F

STOCK VESSEL

		FSI FILTER SPECIALISTS INC. MICHIGAN CITY, IND. 46360		DATE 8/18/03	DWN BY MLH
				APP'D GA	SCALE 1-4
				MATERIAL	316 S.S.
A REMOVED IT * 11 POLY-LOC INSERT RING		RS	10/24/12	DRAWING NO. 1901479	
CHG	REVISION	BY	DATE		

FILTER ASS'Y
 FSPN-85 *2- 2"FLG
 PART NO. 428765