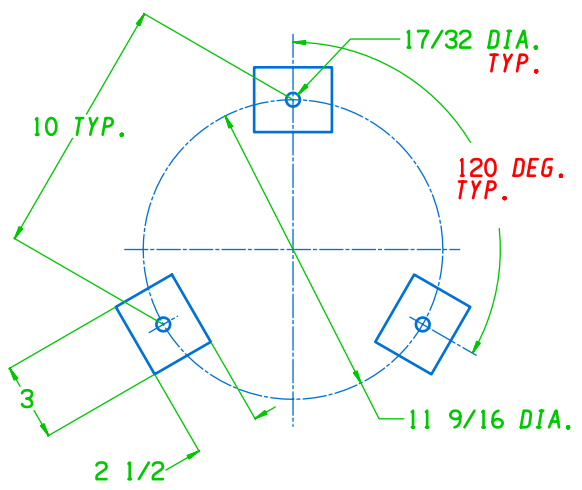
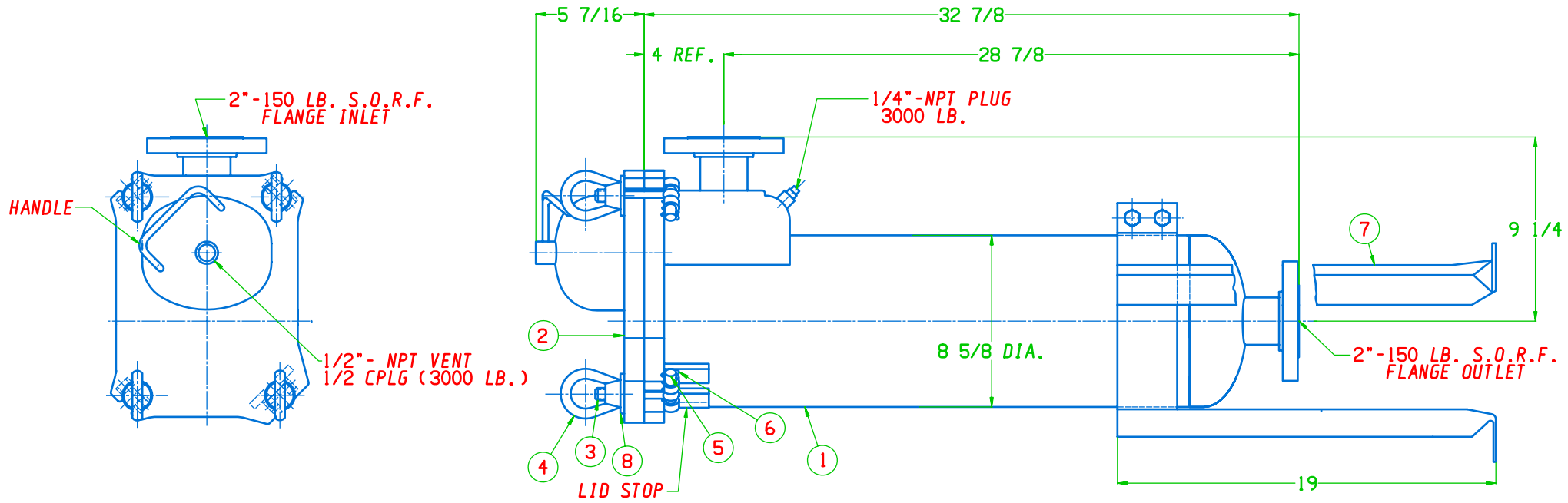


ITEM	QTY	DESCRIPTION	MATERIAL	PART NO.	ITEM	QTY.	DESCRIPTION	MATERIAL	PART NO.
1	1	HOUSING WELD ASS'Y	C.S.	428770	6	4	COTTER PIN	S.S.	EHCP03X160B
2	1	LID ASS'Y (1" TK)	C.S.	PCA408662A	7	1	LEG ASSY	C.S.	LLA28060A
3	4	EYE BOLT (5/8-11 UNC X 3 1/2 LG)	SA-193-B7	PHB25146A09	8	4	WASHER (HARDERENED) - 5/8" USS	C.S. ZN. PLT.	EHWU10HOAZ
4	4	EYE NUT (5/8-11 UNC)	SA-194-1	PHE25006A10	9	1	BASKET (NOT SHOWN)	304 S.S.	EBA27025B
5	4	CLEVIS PIN (1/2 DIA X 2 9/16 LG)	SA-193-B7	PHP25144A09	10	1	GASKET (NOT SHOWN)	BUNA-N (STD)	EGL30007B



CONSTRUCTION IN ACCORDANCE WITH A.S.M.E. CODE SECTION VIII, DIV. 1 FOR UNFIRED PRESSURE VESSELS  
 MAX. ALLOWABLE WORKING PRESSURE 150 PSI  
 HYDROSTATIC TEST PRESSURE 195 PSI  
 MAX. DESIGN TEMP. 500° F  
 MIN. DESIGN METAL TEMP. 20° F

STOCK VESSEL

				<b>FSI</b>		FILTER SPECIALISTS INC.		DATE 8/2/03	DWN BY MLH
						MICHIGAN CITY, IND. 46360		APP'D GA	SCALE 1-4
						FILTER ASS'Y		MATERIAL C.S.	
						FSPN-85 #2- 2"FLG		DRAWING NO.	
						PART NO. 428771		1901485	
ECN* 1780	CHG	REMOVED IT* 11 POLY-LOC INSERT RING	RS	10/25/12					
		UPDATED BOM	JSM	4/11/05					
		CORRECTED LEG ASSY MAT'L	MLH	9/17/03					
		REVISION	BY	DATE					