

SBF-75

COMPACT BAG FILTERS



SBF-75

COMPACT BAG FILTERS

FEATURES

Compact housing
Single bag filter
Stainless Steel housing and basket
Lid swings away
Uses monofilament filter bags
Welded seam filter bags

BENEFITS

Applications where space is a concern
Versatile for low flow systems
Sanitary and versatile
Easy access for cleaning and filter bag changes
Broad range of chemical resistance
No loose fibers
Unaffected by metal fatigue or corrosion
No needle holes, fluid will not by-pass filter media

SBF-75 HOUSING SPECIFICATIONS

Part No.	Working Pressure	Flow Rate	Overall Size	Material
SBF-75	300psi at 250°F	2 1/2 GPM	2 7/8" x 9 9/16"	Stainless Steel

SBF-75 BAG SPECIFICATIONS

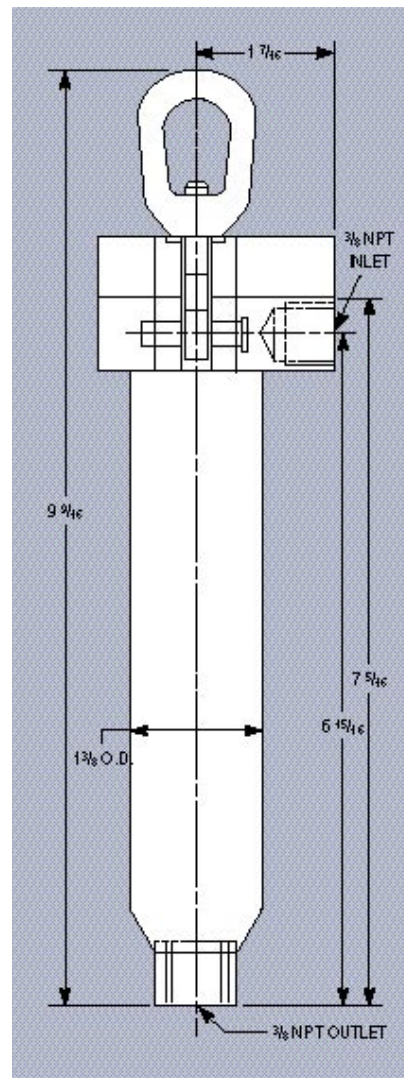
Part No.	Micron Rating	Material
NMO [] SBF	1,5,10,25,35,45,55,75,100,	Nylon monofilament mesh with an integral thermoplastic seal. Ultrasonically sealed filter media

SBF-75 GASKET SPECIFICATIONS

Part No.	Description	Material
75-TFE-SBF	Lid	Buna-N, Neoprene, Ethylene Propylene, Viton®, Teflon
75019 [] SBF	Basket	Buna-N, Neoprene, Ethylene Propylene, Viton®, Teflon
75018 [] SBF	Bag	Buna-N, Neoprene, Ethylene Propylene, Viton®, Teflon

OPTIONS

Top inlet (in lid) for straight through flow



Dimensions are nominal; not to be used for installation purposes. Dimensions in inches, except where specified.

TO LEARN MORE ABOUT FILTER SPECIALISTS, INC. PRODUCTS, CONTACT OUR OFFICE BELOW OR VISIT OUR WEB PAGE: <http://www.fsifilters.com>.



Filter Specialists, Inc.

100 Anchor Road
P.O. Box 735
Michigan City, IN 46361
219/879-3307
219/877-0632 Fax
800-348-3205

Viton® is a registered trademark of Dupont Dow Elastomers.

There are no expressed or implied warranties, including the implied warranty of merchantability and fitness for a particular purpose not specific herein respecting this agreement or the product being sold hereunder or the service provided herein.



SBF-002-297

PRINTED IN USA