

## IDL Series Filter Housings

### Introduction

- Single cartridge housings accept double open-end, RF and 1001 style filters when appropriate model is selected
- All wetted parts are made of stainless steel construction
- Accepts 1 in (2.54 cm), 4 in (10.2 cm), 10 in (25.4 cm), 20 in (50.8 cm), and 30 in (76.2 cm) lengths
- V-Band clamp features a quick opening T-handle
- Variety of inlet/outlet sizes and o-ring seal options
- Optional mounting brackets available

### Housing Specifications

#### Design ratings<sup>1</sup>

V-band Clamp Design:

260 psig (17.9 bar) @ 100°F (40°C)

200 psig (13.8 bar) @ 300°F (150°C)

114 psig (7.9 bar) @ 347°F (175°C)<sup>2</sup>

**NOTE:** Above ratings apply to housing only. Cartridge and housing O-ring selection may impose different and narrower limitations. If Canadian registration is required refer to IDLC Data Sheet PIIDLGEN for CRN approved filter housings.

#### Materials of construction

Head: 316L stainless steel

Bowl: 316 stainless steel

#### Connections

Inlet/Outlet: 3/4" NPT, 1" NPT, 3/4" BSPT, 1" BSPT, 1" BSPP

Flange Option: 150 lb. ANSI raised face flanges or BS4504 flanges available for 1 in IDL Housings

Vent/Drain: 1/4" NPT, BSPT or BSPP (refer to ordering information for complete details)



IDL Series Filter Housings

#### Shell O-rings

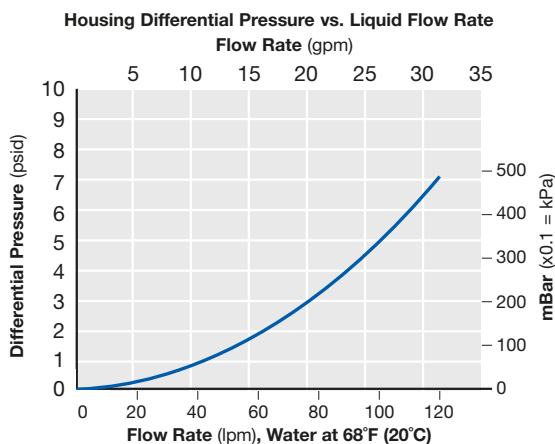
FEP encapsulated fluorocarbon elastomer, silicone elastomer, fluorocarbon elastomer, nitrile, ethylene propylene, ethylene propylene for steam service

#### Bracket option

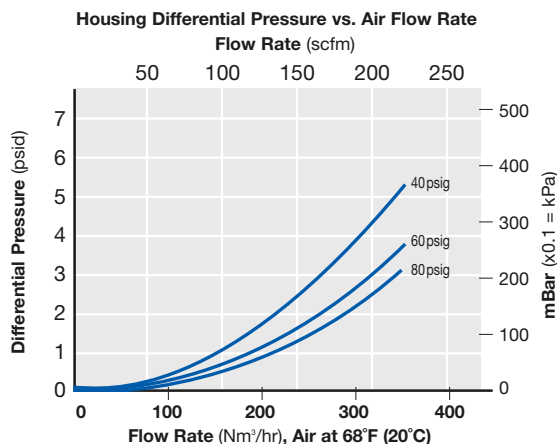
Stainless steel brackets are available as a standard option.

<sup>1</sup> Fully vacuum rated.

<sup>2</sup> For continuous steam service



For liquids other than water, multiply differential pressure by specific gravity.



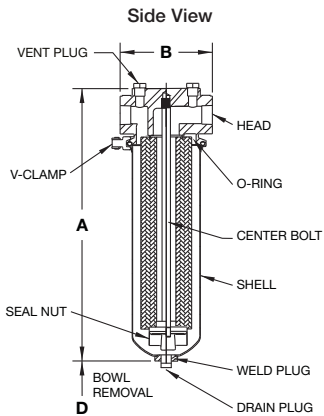
## Dimensional Data

Model	Flow <sup>3</sup> Rate (gpm/lpm)	Dimensions				Volume Gal/L	Weight Empty	
		A in/mm	B in/mm	C in/mm	D in/mm		Threaded Nozzle lbs/Kg	Flanged Nozzle lbs/Kg
IDLD01	1/3.78	5.81/147.57	4.81/122	9.81/250	3.75/95.25	0.41/.15	4.5/2.0	————
IDLD04	4/15	8/203	4.81/122	9.81/250	6/153	0.11/0.4	5.1/2.3	11.9/5.4
IDLD1	10/38	14.25/362	4.81/122	9.81/250	12.63/321	0.34/1.3	5.7/2.6	12.5/5.7
IDLD2	20/76	24.25/516	4.81/122	9.81/250	22.5/572	0.74/2.8	6.7/3	13.5/6.1
IDLD3	30/114	34.25/870	4.81/122	9.81/250	32.38/822	1.14/4.3	7.7/3.5	14.5/6.6
IDL101	1/3.78	5.81/147.57	4.81/122	9.81/250	3.75/95.25	0.41/.15	4.5/2.0	————
IDL104	4/15	8/203	4.81/122	9.81/250	6/153	0.11/0.4	5.1/2.3	11.9/5.4
IDL11	10/38	14.25/362	4.81/122	9.81/250	12.63/321	0.34/1.3	5.7/2.6	12.5/5.7
IDL12	20/76	24.25/516	4.81/122	9.81/250	22.5/572	0.74/2.8	6.7/3	13.5/6.1
IDL13	30/114	34.25/870	4.81/122	9.81/250	32.38/822	1.14/4.3	7.7/3.5	14.5/6.6

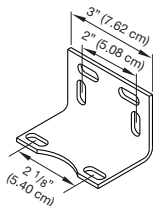
<sup>3</sup> Dependent on inlet/outlet selection.

## Ordering Information

Pall Part Number = IDL 1 2 G 3 4 5



### Optional Mounting Bracket



Part #T10567035

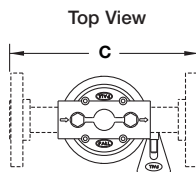


Table 1

Code	Cartridge style
D	DOE/RF V-band
1	1001 V-band

Table 2

Code	Bowl length
01	1 in (available in N16 and B16 option only)
04	4 in
1	10 in
2	20 in
3	30 in

Table 3

Code	Inlet/outlet and vent/drain size
N12	3/4" NPT/1/4" NPT
N16	1" NPT/1/4" NPT
B12	3/4" BSPT/1/4" BSPT
B16	1" BSPT/1/4" BSPT
B17	1" ANSI flange /1/4" BSPT
N17	1" ANSI flange /1/4" NPT
P17	1" ANSI flange /1/4" BSPP
P19	1" BSPP /1/4" BSPP
B35	1" BS4504 flange /1/4" BSPT
P35	1" BS4504 flange /1/4" BSPP

Table 4

Code	Housing options
Blank	Blank
C2	Passivated
C9	Cleaned for oxygen service

Table 5

Code	Seal materials
H	Fluorocarbon elastomer
H1	FEP encapsulated fluorocarbon elastomer
H4	Silicone
H13	Nitrile
J	Ethylene propylene
J7	Ethylene propylene for continuous steam service



Pall Corporation

### Fuels and Chemicals

25 Harbor Park Drive  
Port Washington, NY 11050  
+1 516 484 3600 telephone  
+1 888 873 7255 toll free US

Portsmouth - UK  
+44 (0)23 9233 8000 telephone  
+44 (0)23 9233 8811 fax  
industrialeu@pall.com

### Visit us on the Web at [www.pall.com](http://www.pall.com)

Pall Corporation has offices and plants throughout the world. For Pall representatives in your area, please go to [www.pall.com/contact](http://www.pall.com/contact)

Because of technological developments related to the products, systems, and/or services described herein, the data and procedures are subject to change without notice. Please consult your Pall representative or visit [www.pall.com](http://www.pall.com) to verify that this information remains valid.

© Copyright 2006, 2016 Pall Corporation. Pall and are trademarks of Pall Corporation. ® indicates a trademark registered in the USA. **Filtration. Separation. Solution.<sup>SM</sup>** and **BETTER LIVES. BETTER PLANET.** are service marks of Pall Corporation.

