

Oil and Gas: Application Focus

Pall rental skids ensure demand for high quality jet fuel is achieved

A Middle East Oil & Gas company operates a tank farm that supplies jet fuel for one of the most important international airports in the country.

Problem

Over several years, the tank farm had been receiving contaminated jet fuel (containing solids and free water), hence the fuel required a long period of settling (varies between 2 days to 1 week of settling) and further filtration before it could be dispatched to the end user. This created a challenge when supply demand was high and incurred additional costs involving tankering offsite for processing to meet the required fuel cleanliness specification.

Pall solution

After an initial fuel sample analysis Pall proposed that two mobile particulate filtration skids and two mobile coalescer skids be installed to achieve the required level of solids and water removal, in the main line upstream of the settling tanks, to depollute the jet fuel received at the tanks.

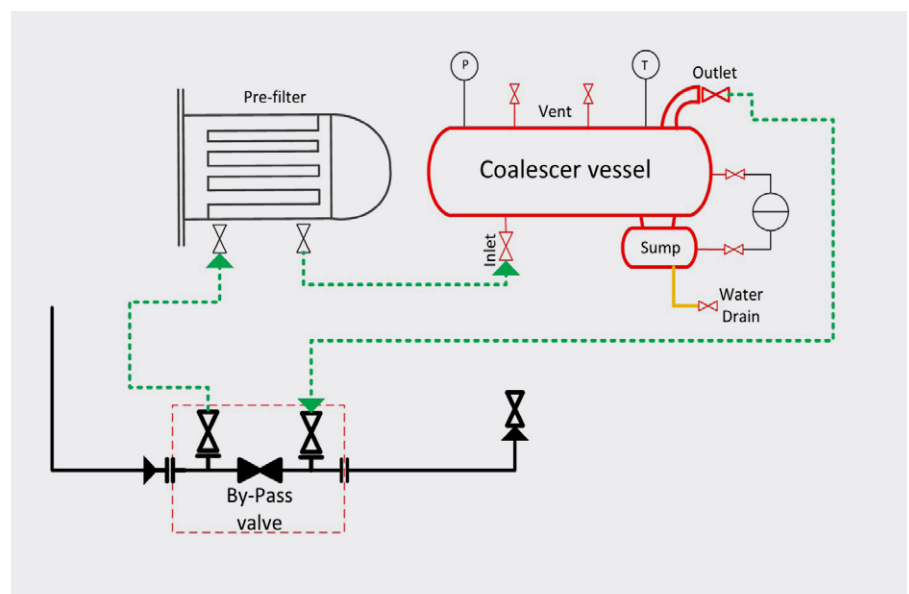
The objective was to reduce the solid contamination level (Total Suspended Solids content or TSS) to below 1 mg/L and to remove all free water content in a single pass via a single filtration stage housed within a compact footprint suitable for the limited space available onsite.

Operating conditions throughout the depollution process were:

- Flow: 120 MBD
- Fuel Temperature: 20~45 °C (68~113 °F)
- Change over DP: 45 psi g (3.1 bar g)
- Upstream pressure: 5~70 psi g (0.34~4.83 bar g)



One of two Pall Ultipleat High Flow solid particulate skids



A Pall rental skids ensure demand for high quality jet fuel is achieved

The filter skids equipped with 2 micron “absolute” rated Pall Ultipleat® High Flow filter cartridges, (the performance of which is validated and reproducible), were delivered, installed and deployed quickly and directly from Pall’s extensive in-region rental fleet.

Operating feedback

Depollution of the Jet fuel was successfully achieved in a single pass of the 2 micron “absolute” rated particulate filters and Aquasep® XS liquid/liquid coalescer cartridges. Unlike conventional glass fiber coalescer filter elements, the polymeric media used in Pall Aquasep XS coalescers effectively prevents disarming (i.e. inability to coalesce and separate water), ensuring long service life and delivering consistently ‘clear and bright’ jet fuel downstream.



Jet fuel Upstream of filtration Jet fuel Downstream of filtration

Subsequent analysis results confirmed the downstream solids contamination levels were significantly below the maximum permissible limits (upstream average TSS : 6mg/L , downstream TSS <1) and that the fuel was free of water, meaning it was ready to be dispatched to the end user without settling or offsite processing.

Based on the results, the plant was delighted with the Pall depollution solution, and retained the mobile rental filter skid in operation until a permanent absolute filtration system was purchased and installed.

Conclusion

The Pall mobile filter skid equipped with absolute rated high flow filter cartridges is a reliable and cost-effective solution to help maintain continuous supply of clean fuels to end users regardless of the contamination levels accumulated from transportation in pipelines or any other contamination source.



25 Harbor Park Drive
 Port Washington NY 11050
 +1 516 484 3600 telephone
 +1 800 289 7255 toll free US

Portsmouth - UK
 +44 (0)23 9233 8000 telephone
 +44 (0)23 9233 8811 fax
 www.pall.com/contact


Filtration. Separation. Solution.SM



Visit us on the Web at www.pall.com

Pall Corporation has offices and plants throughout the world. For Pall representatives in your area, please go to www.pall.com/contact

Because of technological developments related to the products, systems, and/or services described herein, the data and procedures are subject to change without notice. Please consult your Pall representative or visit www.pall.com to verify that this information remains valid.

© Copyright 2019, Pall Corporation. Aquasep, Ultipleat, Pall and  are trademarks of Pall Corporation.

® Indicates a trademark registered in the USA. Better Lives. Better Planet and *Filtration. Separation. Solution.SM* are service marks of Pall Corporation.